

# Broce Broom

## Parts Catalog

### 470 - Series

Front Mount  
4-Wheel Construction Sweeper  
601263+



Broce Manufacturing Co. Inc. 1460 South 2nd Avenue Dodge City, KS 67801  
(877) 227-8811 FAX (620) 227-3012 parts@brocebroom.com  
M-F 7:00 AM-6:00 PM CST

[www.brocebroom.com](http://www.brocebroom.com)

# Broce Manufacturing Company, Inc. WARRANTY REGISTRATION

Purchased From (Dealership)	
Company: _____	
Address: _____	
City: _____	State: ____ ZIP: _____
Delivery Date to Dealer: ____ / ____ / ____	Unit Hours: _____
Model Number: _____	Serial Number: _____

Purchaser	
Company: _____	
Address: _____	
City: _____	State: ____ ZIP: _____
Delivery Date to Dealer: ____ / ____ / ____	Unit Hours: _____

Purchaser - Type of Business				
Construction/Highway		Rental		Asphalt Contractor
Equipment Dealer		Municipality		Other

1. *The Purchaser has been instructed and/or has read the manual and understands proper preventive maintenance, operation and safety precautions.*
  
2. *The Warranty and Limitations of Liability are found in the Warranty pages enclosed in the Parts and Operators Manuals.*
  
3. *Broce Manufacturing Co. Inc. reserves the right to make design changes or modifications to Broce products at any time without incurring any obligation to make similar changes or modifications to previously sold units.*
  
4. *If this Document is not signed and returned to Broce Manufacturing Co. Inc., the warranty begins at the date of delivery to the Dealership.*

**I hereby acknowledge acceptance of above and conditions in the Warranty Policy**

Purchaser/Owner: \_\_\_\_\_

Dealer Representative: \_\_\_\_\_

**Broce Manufacturing Co. Inc.**  
 1460 South 2nd Avenue  
 Dodge City, KS 67801  
 (877) 227-8811



---

# **BROCE MANUFACTURING COMPANY**

---

470 - Series Parts Catalog

## **BROCE BROOM LIMITED TWELVE-MONTH WARRANTY**

For a period of twelve (12) months or 1,000 hours whichever comes first, from the date of delivery of product to the original user, Broce Manufacturing of Dodge City, Kansas warrants each product to be free from manufacturing defects, subject to the limitations contained in this policy. This limited warranty covers parts and labor.

This warranty does not apply to defect caused, in whole or in part, by unreasonable use while in the possession of the user, including, but not limited to, failure to properly set up product, failure to provide reasonable and necessary maintenance, normal wear, routine tune ups or adjustments, improper handling, accidents, operation at speed or load conditions contrary to published specifications, improper or insufficient lubrication, or improper storage. This warranty is not a guarantee that the performance of each product will meet the expectations of the purchaser.

Broce Manufacturing shall not be liable for consequential damage of any kind, including, but not limited to: consequential labor costs or transportation charges in connection with the replacement or repair of defective parts, lost time or expense which may have accrued because of said defects. In no event shall Broce Manufacturing's total liability hereunder exceed the product purchase price.

Many components used by Broce Manufacturing are subject to the warranties of their respective manufacturers. These warranties will be considered void if the product is modified or repaired in any way not expressly authorized, or if closed components are disassembled prior to return. Closed components include, but are not limited to gearboxes, hydraulic pumps, motors, cylinders and actuators.

Our obligation under the warranty is expressly limited, at our option, to the replacement or repair at Broce Manufacturing of Dodge City, KS or at a service facility designated by us. We are not responsible for unauthorized repairs or replacements. Any implied or statutory warranties, including any warranty of merchantability or fitness for a particular purpose, are expressly limited to duration of this written warranty. We make no other express warranty. This warranty cannot be extended, broadened, or changed except in writing by an authorized officer of Broce Manufacturing.

### **Broce Manufacturing Co. Inc.**

1460 South 2nd Avenue  
Dodge City, KS 67801  
(877) 227-8811





**WARNING:** Cancer  
and Reproductive Harm  
[www.P65Warnings.ca.gov](http://www.P65Warnings.ca.gov)

# TABLE OF CONTENTS

470 - Series Parts Catalog

<u>CAB ASSEMBLY</u> .....	<u>8</u>
<u>CAB FAIRING ASSEMBLY</u> .....	<u>9</u>
<u>CAB GLASS</u> .....	<u>10</u>
<u>ROOF WITH FAIRING</u> .....	<u>11</u>
<u>CABIN DOOR ASSEMBLY</u> .....	<u>12</u>
<u>SEAT BASE ASSEMBLY</u> .....	<u>13</u>
<u>OPERATOR COMPARTMENT</u> .....	<u>14</u>
<u>RAM DISPLAY ASSEMBLY</u> .....	<u>15</u>
<u>RH CONSOLE ASSEMBLY</u> .....	<u>16</u>
<u>FOOT PEDAL AND BRACKET ASSEMBLY</u> .....	<u>18</u>
<u>HYRDAULIC FILTER MOUNT</u> .....	<u>19</u>
<u>FUEL TANK ASSEMBLY</u> .....	<u>20</u>
<u>HYRDAULIC TANK ASSEMBLY</u> .....	<u>21</u>
<u>CHASSIS</u> .....	<u>22</u>
<u>ENGINE HOUSING ASSEMBLY</u> .....	<u>24</u>
<u>JOHN DEERE ENGINE ASSEMBLY</u> .....	<u>25</u>
<u>CUMMINS ENGINE ASSEMBLY</u> .....	<u>28</u>
<u>REHLKO ENGINE ASSEMBLY</u> .....	<u>31</u>
<u>CABIN AIR ASSEMBLY</u> .....	<u>35</u>
<u>NON-SIDE SHIFT BROOM LIFT ASSEMBLY</u> .....	<u>36</u>
<u>SIDE SHIFT BROOM LIFT ASSEMBLY</u> .....	<u>38</u>
<u>BROOM CORE SHEILD ASSEMBLY</u> .....	<u>40</u>
<u>QUICK CHANGE ASSEMBLY</u> .....	<u>41</u>
<u>BROOM CORE WAFER &amp; SPACERS</u> .....	<u>42</u>
<u>HYDROSTATIC CONTROL ASSEMBIES</u> .....	<u>43</u>
<u>WINDSHEILD WIPER</u> .....	<u>44</u>
<u>BRAKE CONTROL</u> .....	<u>45</u>
<u>REAR AXLE ASSEMBLY</u> .....	<u>46</u>

## TABLE OF CONTENTS (CONT.)

470 - Series Parts Catalog

<u>REAR WHEEL HUB ASSEMBLY</u> .....	<u>48</u>
<u>WHEELS &amp; SPACERS</u> .....	<u>49</u>
<u>HYDRAULIC &amp; FUEL TANK CABINET ASSEMBLY</u> .....	<u>50</u>
<u>WATER SYSTEM</u> .....	<u>52</u>
<u>FRONT AXLE ASSEMBLY</u> .....	<u>54</u>

### HYDRAULIC

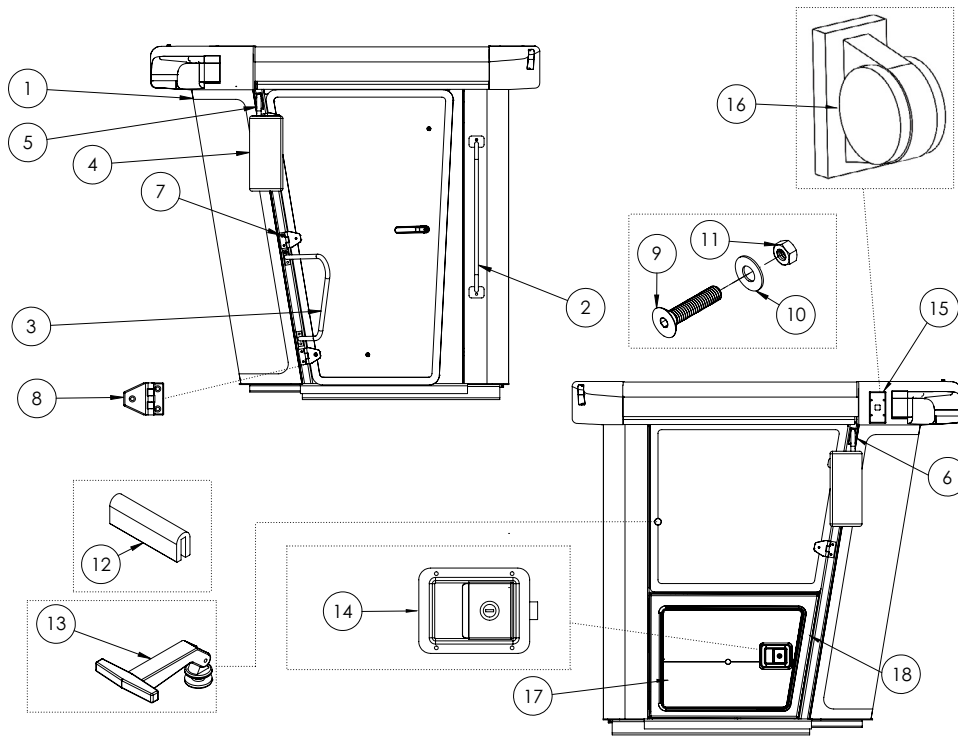
<u>HYDRAULIC SYSTEM COMPONENTS</u> .....	<u>59</u>
<u>HYDRAULIC SYSTEM SCHEMATICS (FONT SECTION)</u> .....	<u>60</u>
<u>HYDRAULIC SYSTEM JOHN DEERE (MID SECTION A)</u> .....	<u>61</u>
<u>HYDRAULIC SYSTEM CUMMINS (MID SECTION A)</u> .....	<u>62</u>
<u>HYDRAULIC SYSTEM REHLKO (MID SECTION A)</u> .....	<u>63</u>
<u>HYDRAULIC SYSTEM SCHEMATICS (MID SECTION B)</u> .....	<u>64</u>
<u>HYDRAULIC SYSTEM SCHEMATICS JOHN DEERE (BACK)</u> .....	<u>65</u>
<u>HYDRAULIC SYSTEM SCHEMATICS CUMMINS (BACK)</u> .....	<u>66</u>
<u>HYDRAULIC SYSTEM SCHEMATICS REHLKO (BACK)</u> .....	<u>67</u>
<u>HYDRAULIC SYSTEM COMPONENTS (SHEET)</u> .....	<u>68</u>

### WIRING

<u>WIRING SYSTEM DETAILS (BROOM SEED COTROL)</u> .....	<u>71</u>
<u>WIRING SYSTEM (CONSOLE FRAM)</u> .....	<u>72-73</u>
<u>WIRING SYSTEM (ENGINE TO CAB)</u> .....	<u>74</u>
<u>WIRING SYSTEM CUMMINS (GPS)</u> .....	<u>75</u>
<u>WIRING SYSTEM DETAILS (MONITOR)</u> .....	<u>76</u>
<u>WIRING SYSTEM DETAILS (REAR TAL LIGHT)</u> .....	<u>77</u>
<u>WIRING SYSTEM DETAILS (STEERING TO CAB)</u> .....	<u>78</u>
<u>WIRING SYSTEM DETAILS (MAIN FUSE)</u> .....	<u>79</u>
<u>WIRING SYSTEM DETAILS (STEERING COLUMN)</u> .....	<u>80</u>

# CAB ASSEMBLY

470 - Series Parts Catalog

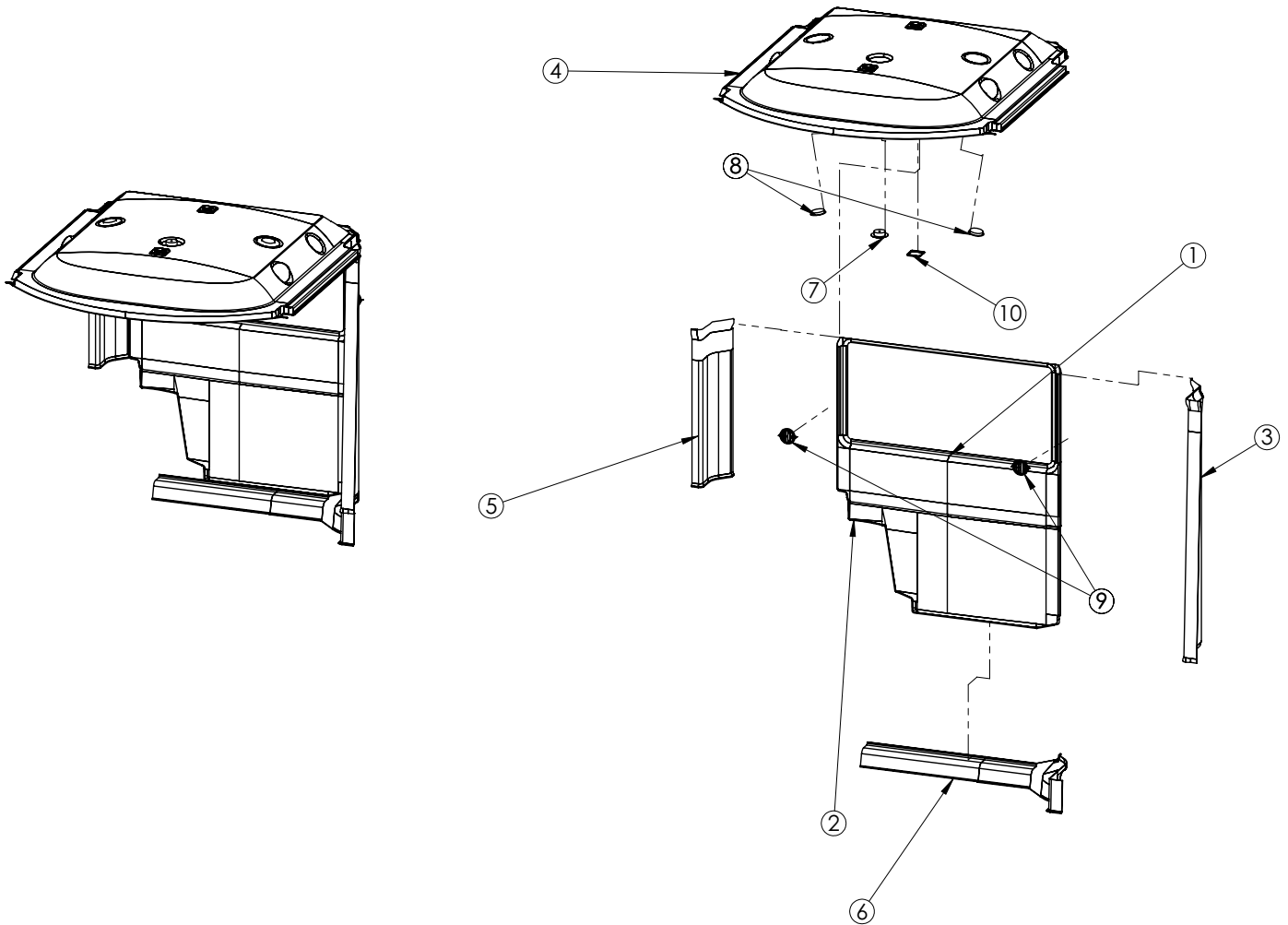


ITEM #	PARTS #	DESCRIPTION	QTY.
1	512100	Cab Assembly	1
2	512453	Cab Grab Handle	1
3	512367	Forward Cabin Door Stop	1
4	512126	Sideview Mirror	2
5	513142	RH Mirror Mount	1
6	513137	LH Mirror Mount	1
7	461038	5/16" -18 x 1.5 Flat Soc SS	10
8	442269	Hinge	5
9	464842	5/16"-18 x 1.5 Flat Soc SS	5
10	10579	5/16" Flat Washer	5
11	512794	#8 - 32 Stainless Hex Nuts	5
12	512107	P-Seal	10
13	442251	Window Latch	1
14	512533	Paddle Latch	1
15	386586	Turn Signal Bracket	2
16	513501	Turn Signal	2
N/S	512515	Rubber Door Bumper	1
N/S	512781	3/8"-16 X 5/8" Button Head Cap Screw	1
N/S	512552	Window Latch Spacer	1
17	512525	HVAC Door	1
18	512523	HVAC Door Frame	1
N/S	512522	HVAC Door Hinge	1
N/S* = Not Shown			

**WARNING:** Cancer and Reproductive Harm  
www.P65Warnings.ca.gov

# CAB FAIRING ASSEMBLY

470 - Series Parts Catalog

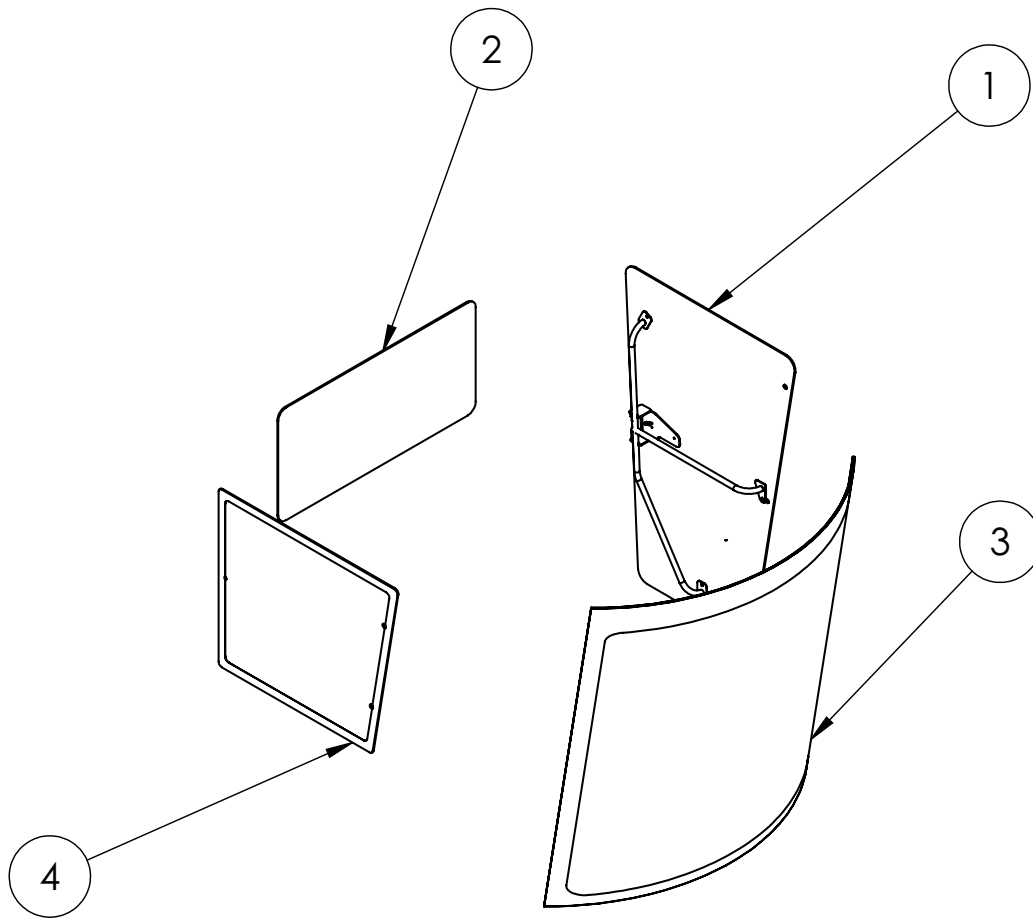


ITEM #	PARTS #	DESCRIPTION	QTY.
1	512422	Rear Wall Window Fairing	1
2	512424	Rear Wall Lower Fairing	1
3	512426	LH Rear Corner Closeout	1
4	512430	Headliner	1
5	512428	RH Rear Corner Closeout	1
6	512420	Rear A/C Duct Cover	1
7	512403	3" Dome Light	1
8	512132	Heavy Duty Speakers	2
9	512408	Air Vent 2.5	2
	512438	Fastener Cover	2
N/S	513630	Dome Light Switch	1
N/S* = Not Shown			

 **WARNING:** Cancer and Reproductive Harm  
www.P65Warnings.ca.gov

# CAB GLASS

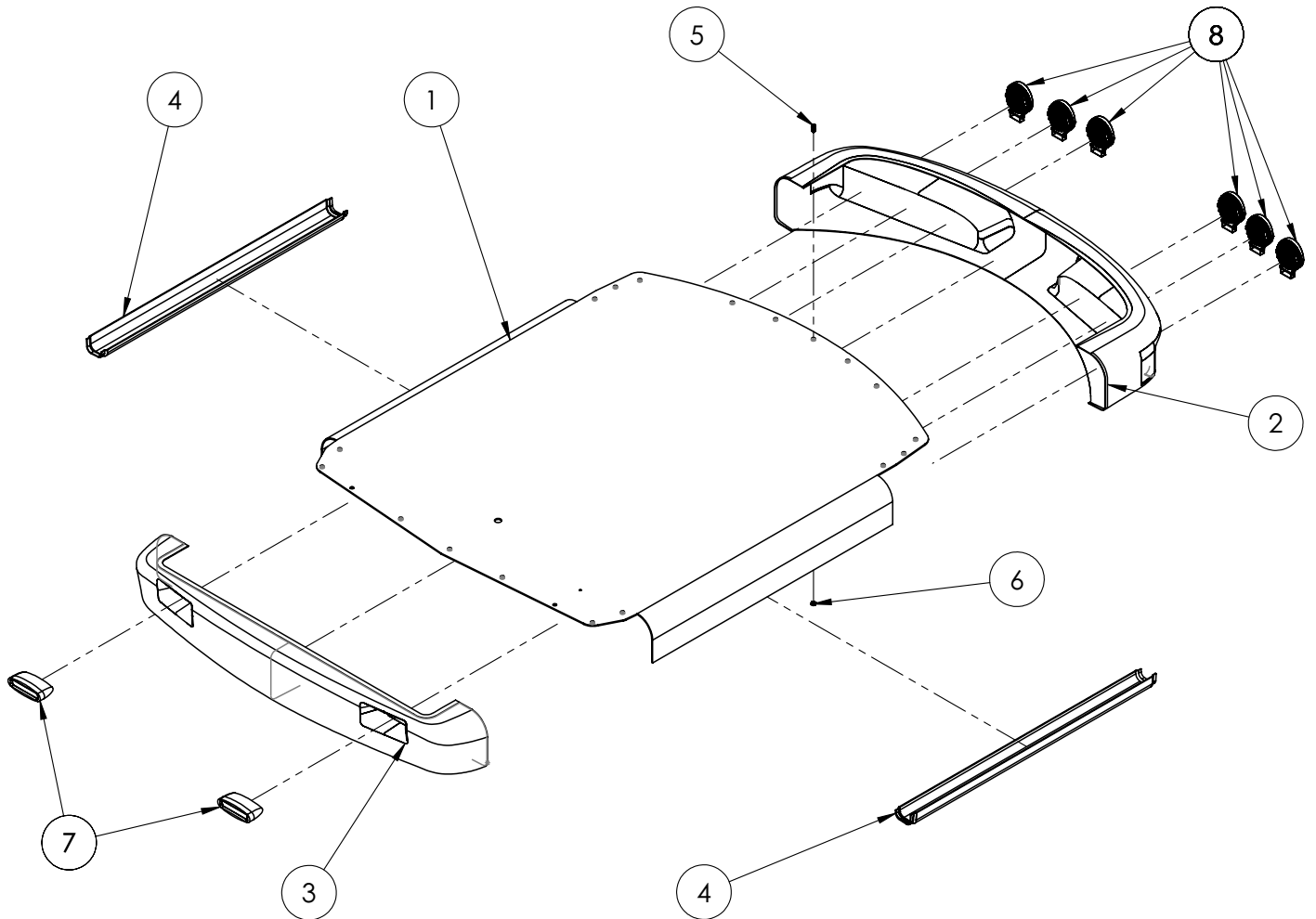
470 - Series Parts Catalog



ITEM #	PARTS #	DESCRIPTION	QTY.
1	512541	Cabin Door Assembly	1
2	512553	Rear Window Glass	1
3	512105	Windshield	1
4	512557	RH Window Glass	1

# ROOF WITH FAIRING

470 - Series Parts Catalog

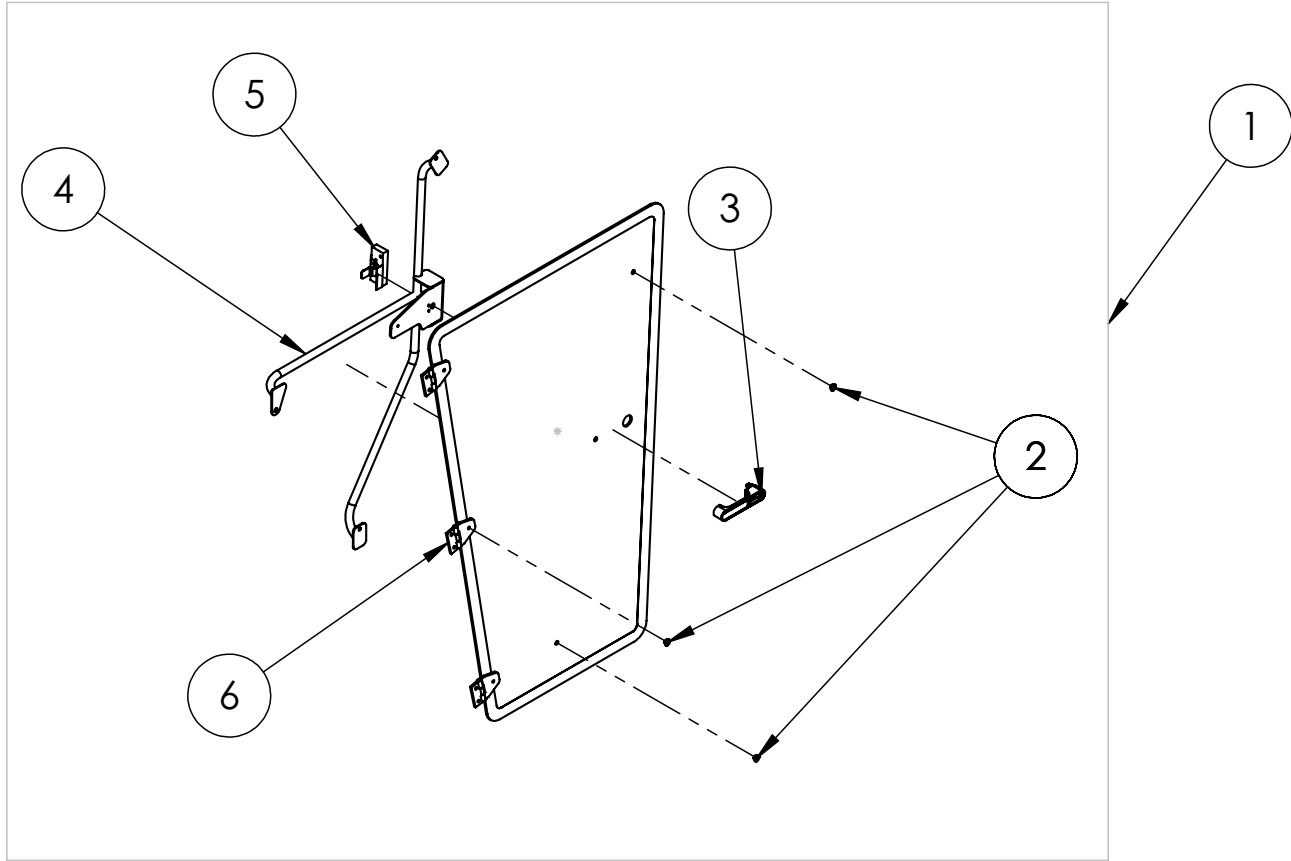


ITEM #	PARTS #	DESCRIPTION	QTY.
1	512395	Roof Assembly	1
2	512529	Upper Fairing - Front	1
3	512527	Upper Fairing - Rear	1
4	512531	Upper Side Rail	2
5	512256	3/8" - 16 x 3/4" 12-Point Screw	22
6	512787	3/8" - 16 Steel Weld Nut	22
7	513505	LED Rear Work Light	2
8	307011W	LED Front Work Light	6
N/S	512960	Rear Light Mount Bushing	2
N/S	513268	Front Lighth Bushing	6
N/S	513752	32" LED Light Bar	2
N/S* = Not Shown			

 **WARNING:** Cancer and Reproductive Harm  
www.P65Warnings.ca.gov

# CABIN DOOR ASSEMBLY

470 - Series Parts Catalog

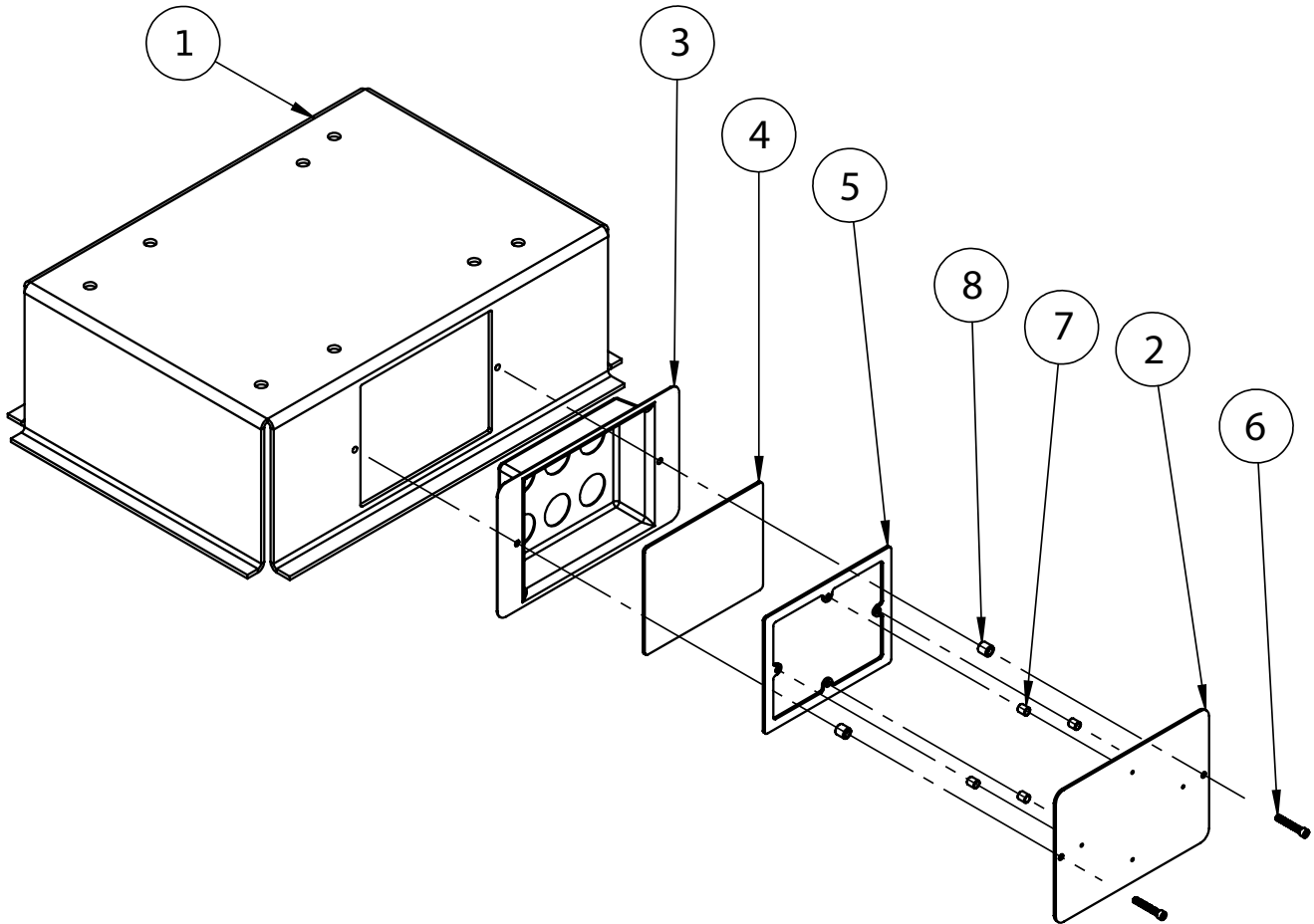


ITEM #	PARTS #	DESCRIPTION	QTY.
1	512541	Cabin Door Assembly	1
2	512543	Cabin Door Frame Mount Bushing	3
3	446138	Door Handle & Keys	1
4	512544	Cabin Door Frame	1
5	446120	Door Latch	1
6	442269	Hinge, W/Grommet & Bushing	3

 **WARNING:** Cancer and Reproductive Harm  
www.P65Warnings.ca.gov

# SEAT BASE ASSEMBLY

470 - Series Parts Catalog



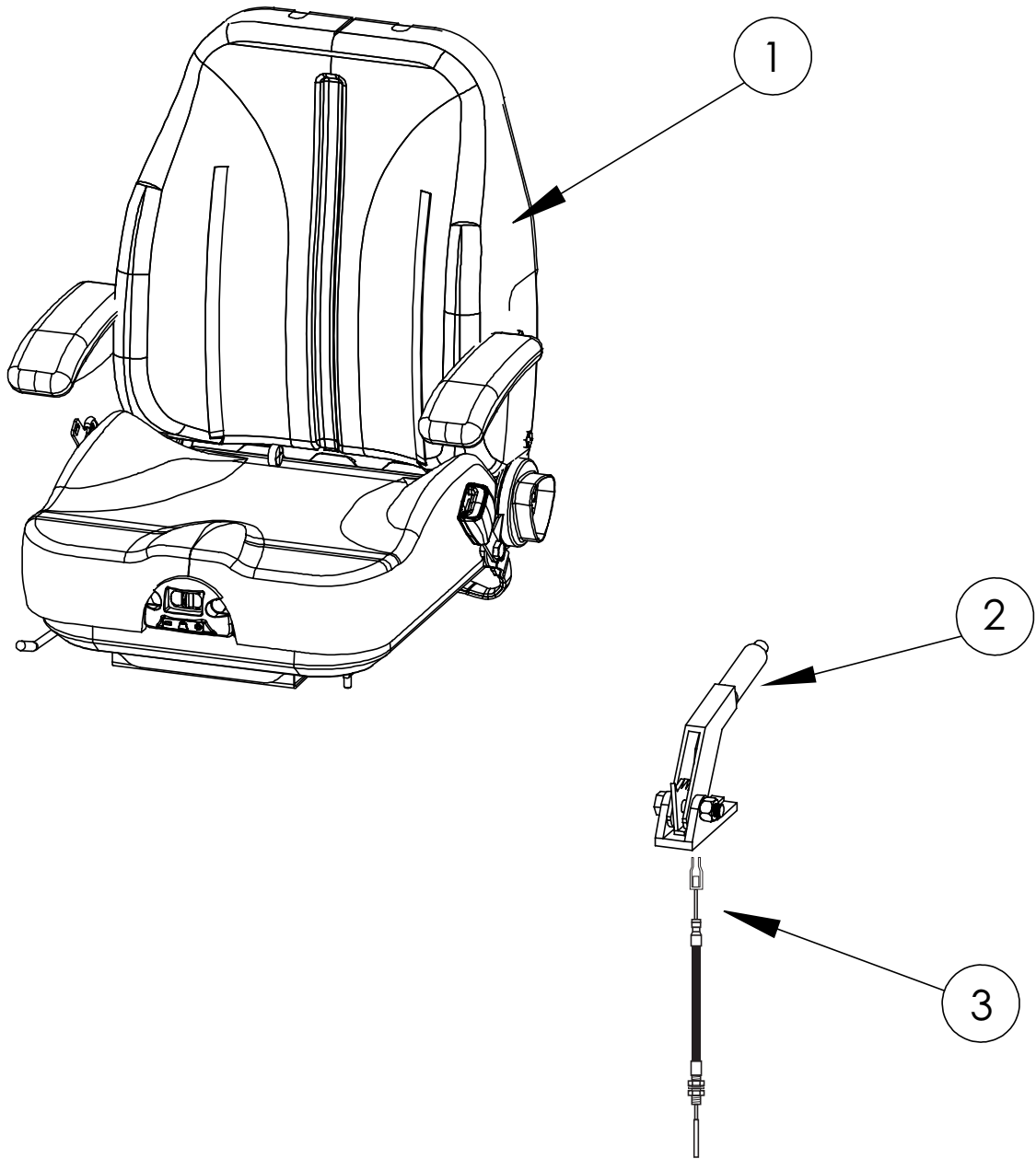
ITEM #	PARTS #	DESCRIPTION	QTY.
1	512141	Seat Base Assembly	1
2	512144	Cabin Air Filter Cover	1
3	512456	Air Filter Plenum	1
4	512161	Cabin Air Filter - Under Seat	1
5	512146	Cabin Air Filter Outer Retainer	1
6	512154	1/4" - 20 x 1-1/2" Stainless Socket Head Cap Screw	2
7	512155	Outer Retainer Spacer	4
8	512156	Cabin Air Filter Cover Spacer	2
N/S	512192	3" Hose Coupler	1
N/S	512214	Air Filter	1

N/S\* = Not Shown

 **WARNING:** Cancer and Reproductive Harm  
www.P65Warnings.ca.gov

# OPERATOR COMPARTMENT

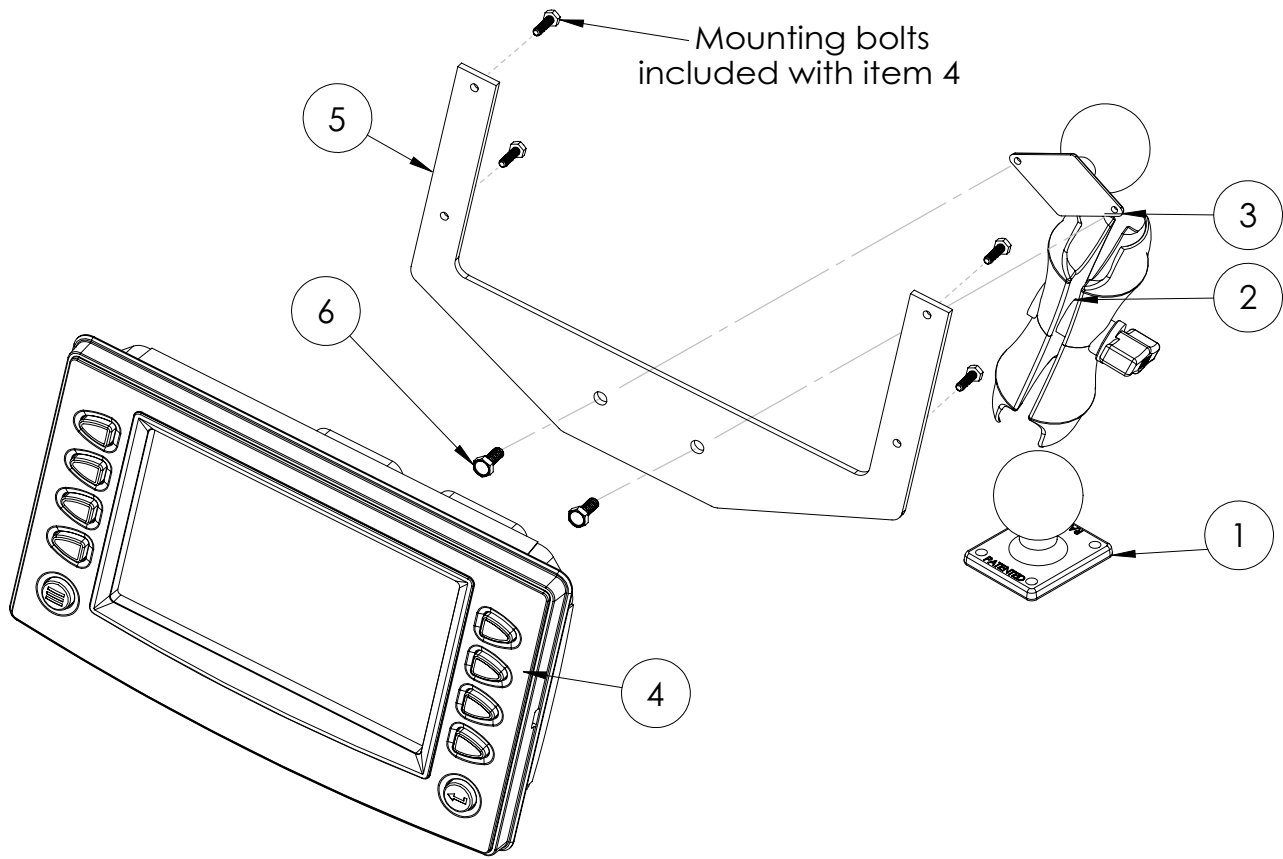
470 - Series Parts Catalog



ITEM #	PARTS #	DESCRIPTION	QTY.
1	BS-1050W	Standard Seat	1
1.1	512104	Air Ride Seat	1
2	513114	Parking Brake	1
3	386932	Parking Brake Cable	1

 **WARNING:** Cancer and Reproductive Harm  
www.P65Warnings.ca.gov

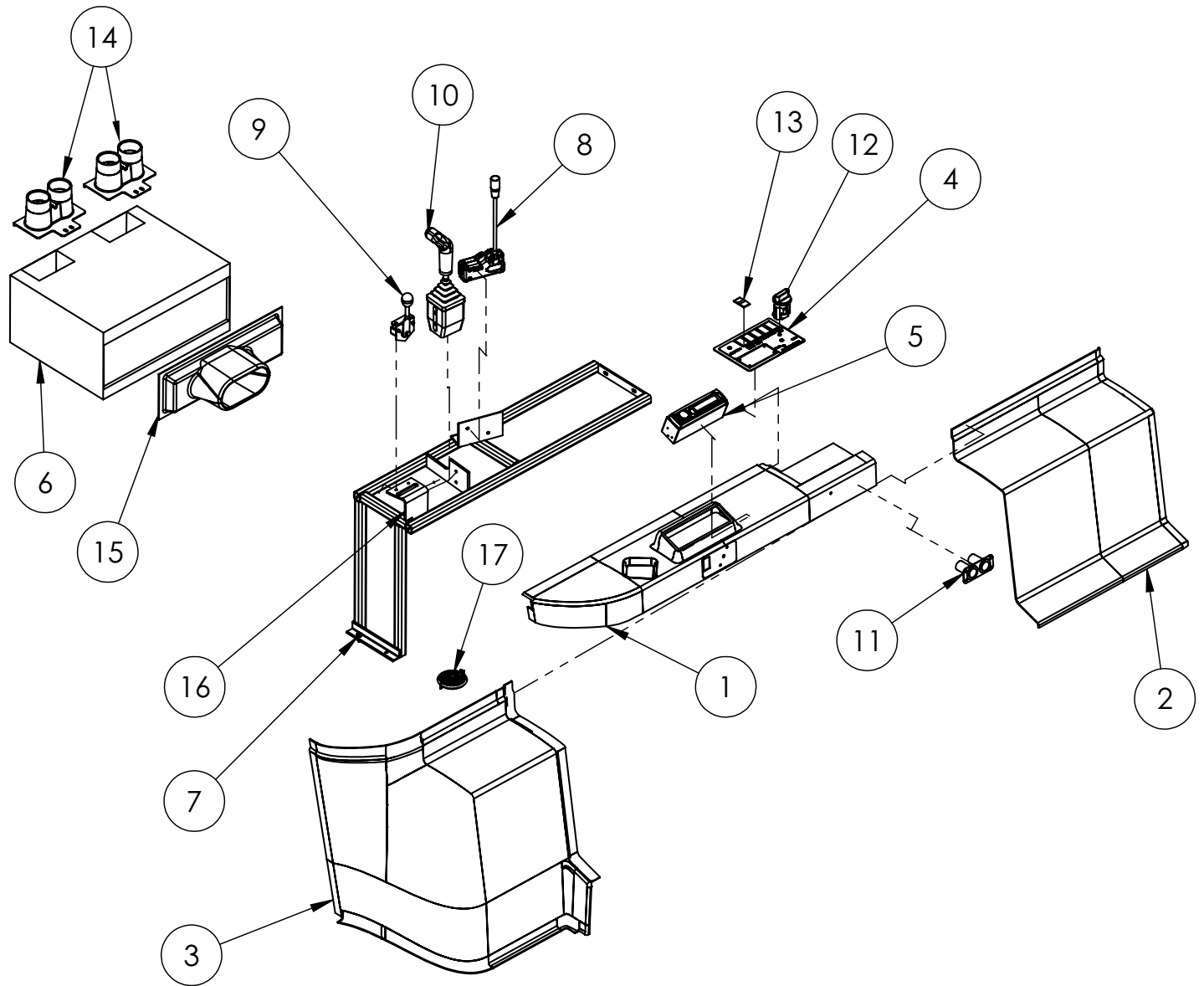
# RAM DISPLAY ASSEMBLY



ITEM #	PARTS #	DESCRIPTION	QTY.
1	513813	Ram 1.5" Ball Base	1
2	513817	Ram 1.5" Double Socket Arm	1
3	513815	Ram 1.5" Diamond Ball Base	1
4	513802	PV780B Display & Mounting Bolts	1
5	513829	Ram Display Mount	1
6	512976	Screw	2
N/S	513806	GPS Puck	1
N/S	513714	Monitor Harness	1
N/S	513716	GPS Harness	1
N/S	513808	Backup Camara	1
N/S	512134	Antenna	1
N/S* = Not Shown			

# RH CONSOLE ASSEMBLY

470 - Series Parts Catalog



 **WARNING:** Cancer and Reproductive Harm  
[www.P65Warnings.ca.gov](http://www.P65Warnings.ca.gov)

## RH CONSOLE ASSEMBLY - PARTS (CONT.)

470 - Series Parts Catalog

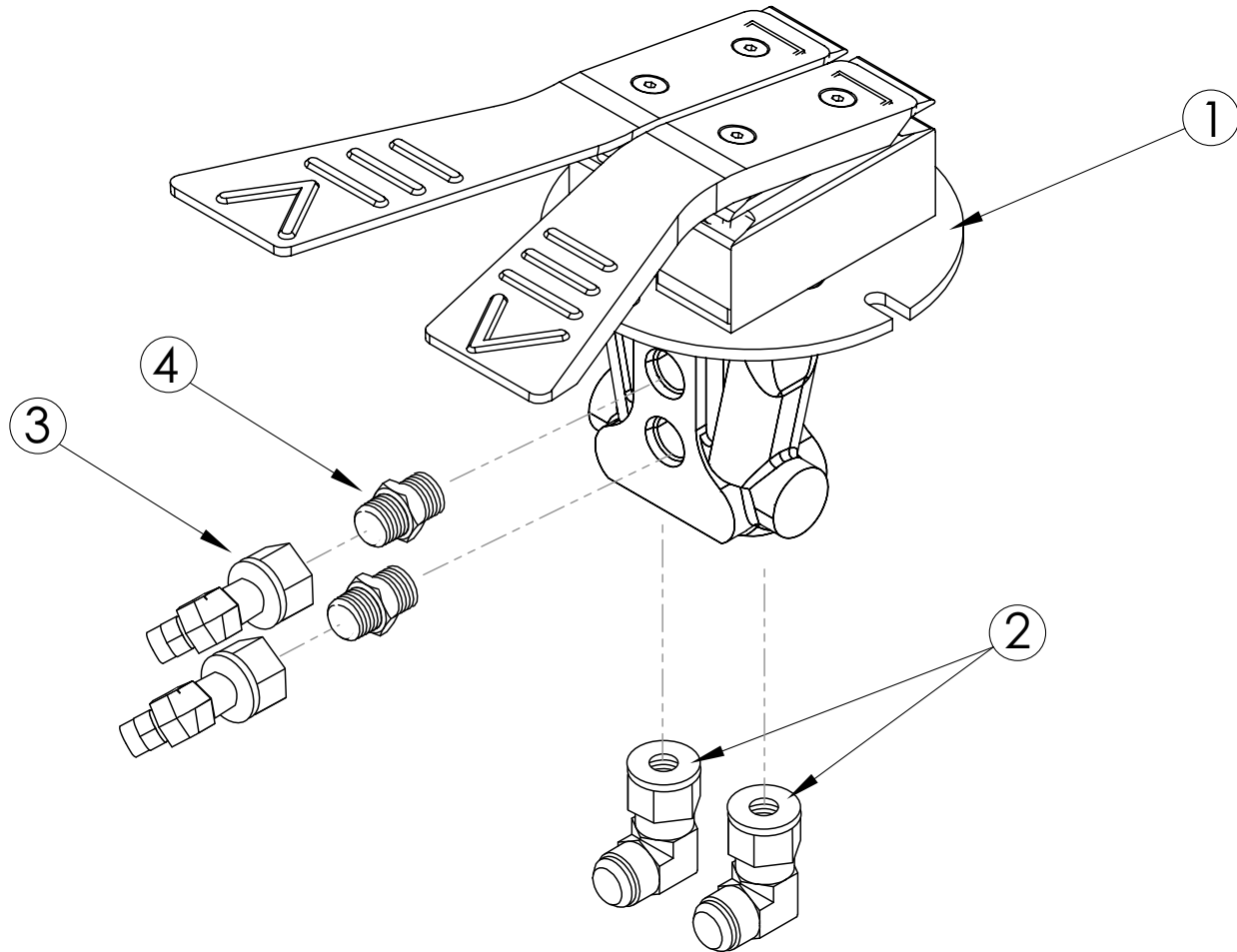
ITEM #	PARTS #	DESCRIPTION	QTY.
1	512436	RH Console Upper Fairing	1
2	512432	RH Console AFT Fairing	1
3	512434	RH Console Forward Fairing	1
4	512472	Control Plate	1
5	512130	Heavy Duty Radio - Option	1
6	512176	Heat and A/C Kit	1
7	513450	Control Mount Frame Assembly	1
8	513346	Cable Control Block	1
9	513537	Electronic Throttle Control	1
10	513348	HD Joystick with On/Off Switch	1
11	512137	12v USB Dual Charger	1
12	513535	Broom Control Dial	1
13	460113	On/Off Way Switch	6+
14	512270	2.5 AC Plenum	2
15	512459	AC Fresh Air Plenum	1
16	513452	Throttle Bracket	1
17	512408	Air Vent 2.5	1
N/S	512140	Cup Holder	1
N/S	512132	Speakers	2
N/S	51299	AC Control Panel	1
N/S	512472-1	Control Panel Decal	1
N/S	513350	35.4" Valve Control Cable	2
N/S	513352	47.2" Valve Control Cable	1
N/S* = Not Shown			

+5-8 Switches Depending On Options



# FOOT PEDAL AND BRACKET ASSEMBLY

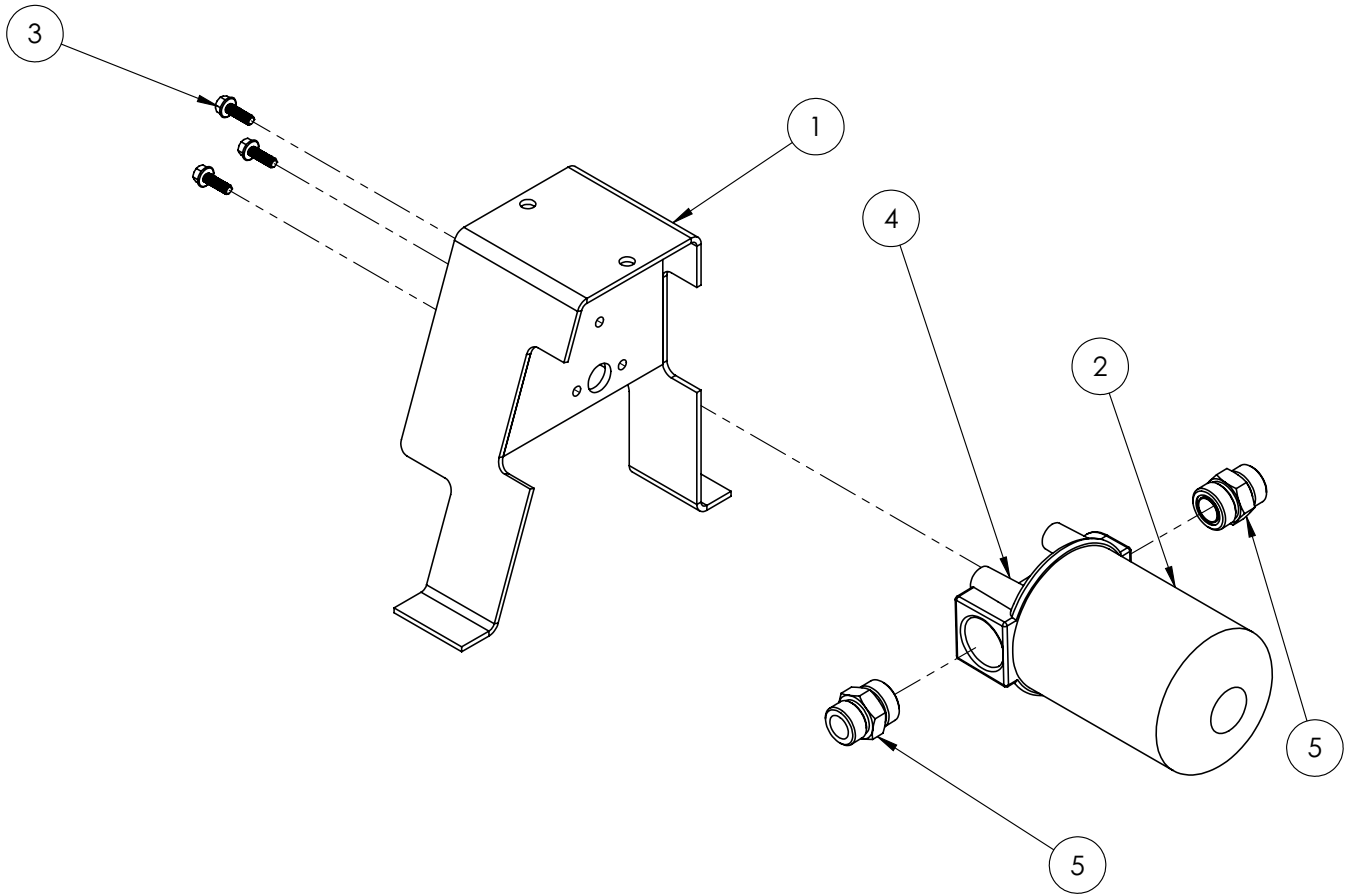
470 - Series Parts Catalog



ITEM #	PARTS #	DESCRIPTION	QTY.
1	389775-1	Double Foot Pedal Assembly- Forward, Reverse	1
2	386635	Pedal Hydraulic Fitting	2
3	389840	45 Deg. Elbow, #6NPT - #6JIC	2
4	386556	Straight Fitting	2

# HYRDAULIC FILTER MOUNT

470 - Series Parts Catalog

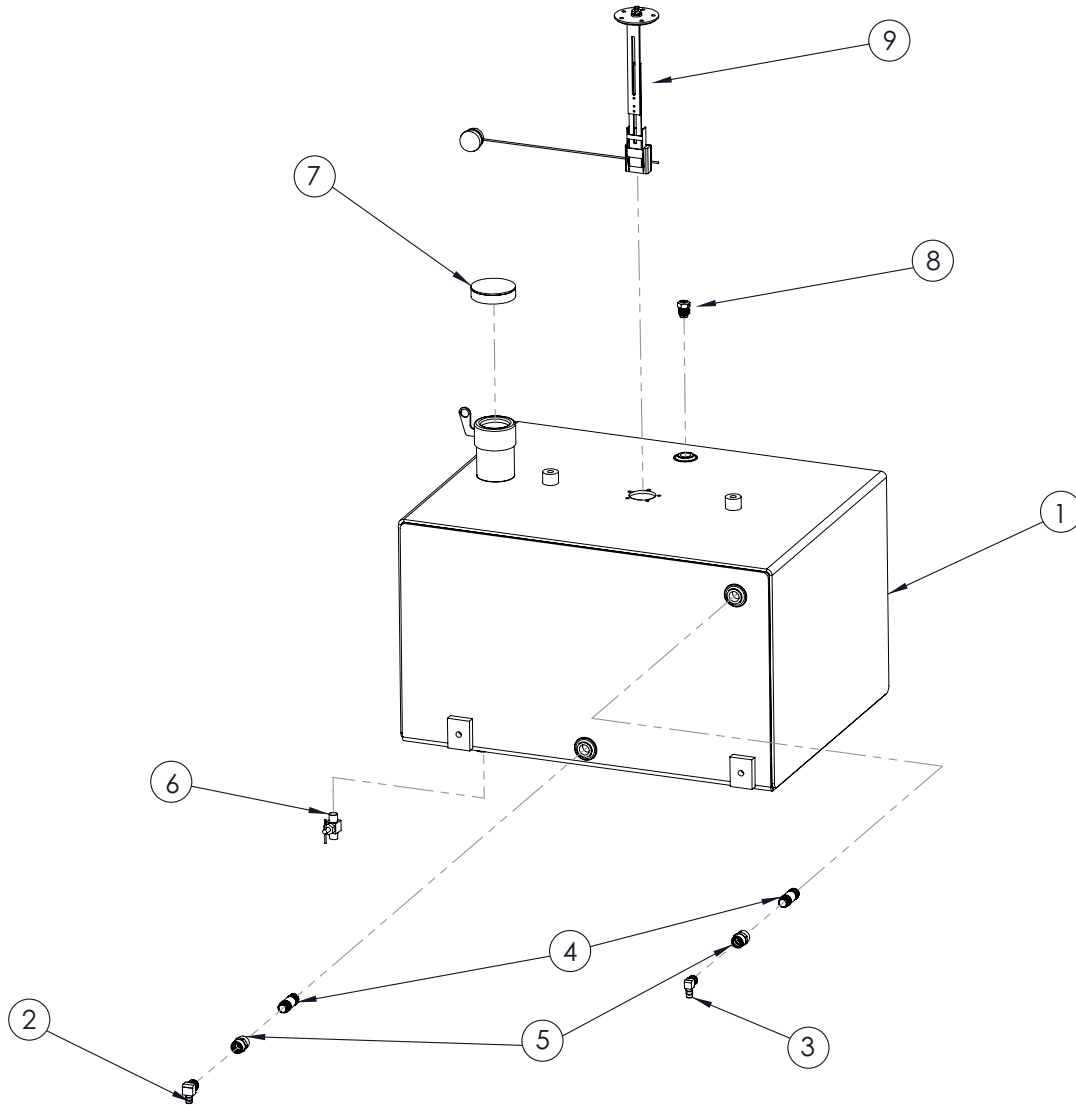


ITEM #	PARTS #	DESCRIPTION	QTY.
1	512252	Cabin Air Filter Housing Mount Bracket Weldment	1
2	442822	Hydraulic Filter	1
3	441600	5/16" - 18 x 1" Flanged Hex Screw	3
4	420349	Filter Head	1
5	389497	Straight Hydraulic Fitting	2
N/S	804716	Cabin Air Filter Cracket Assembly	1

 **WARNING:** Cancer and Reproductive Harm  
www.P65Warnings.ca.gov

# FUEL TANK ASSEMBLY

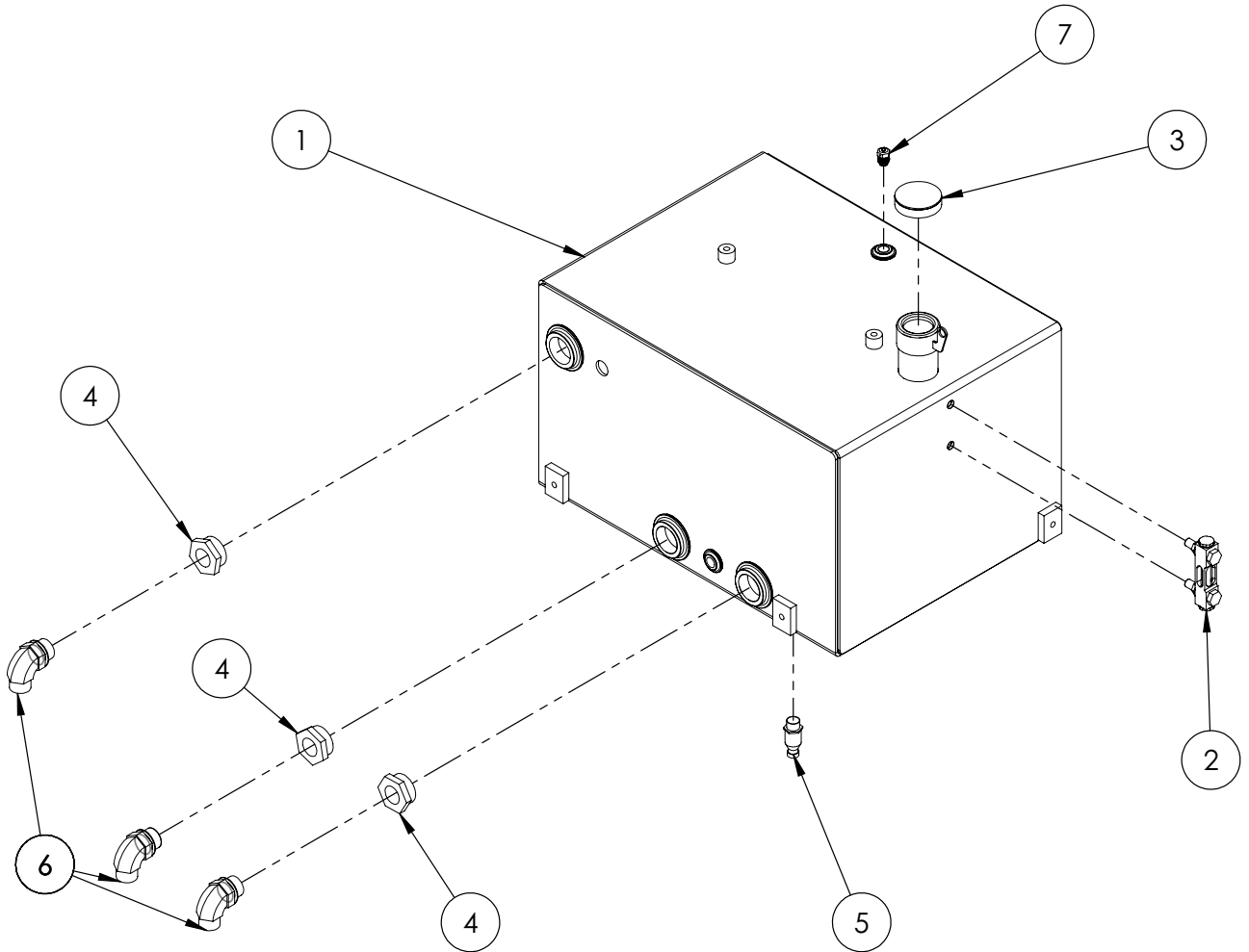
470 - Series Parts Catalog



ITEM #	PARTS #	DESCRIPTION	QTY.
1	512800	Fuel Tank Assembly	1
2	512825	3/8" NPT to 3/8" Hose Barb 90 Degree Elbow	1
3	512823	3/8" NPT to 1/4" Hose Barb 90 Degree Elbow	1
4	512832	3/8" NPT x 2" Pipe Nipple	2
5	512834	3/8" NPT Pipe Coupler	2
6	512872	Needle Valve	1
7	439182	Green Fuel Cap	1
8	512817	3/8" NPT Breather Valve	1
9	307142	Fuel Sender Assembly	1

# HYRDAULIC TANK ASSEMBLY

470 - Series Parts Catalog

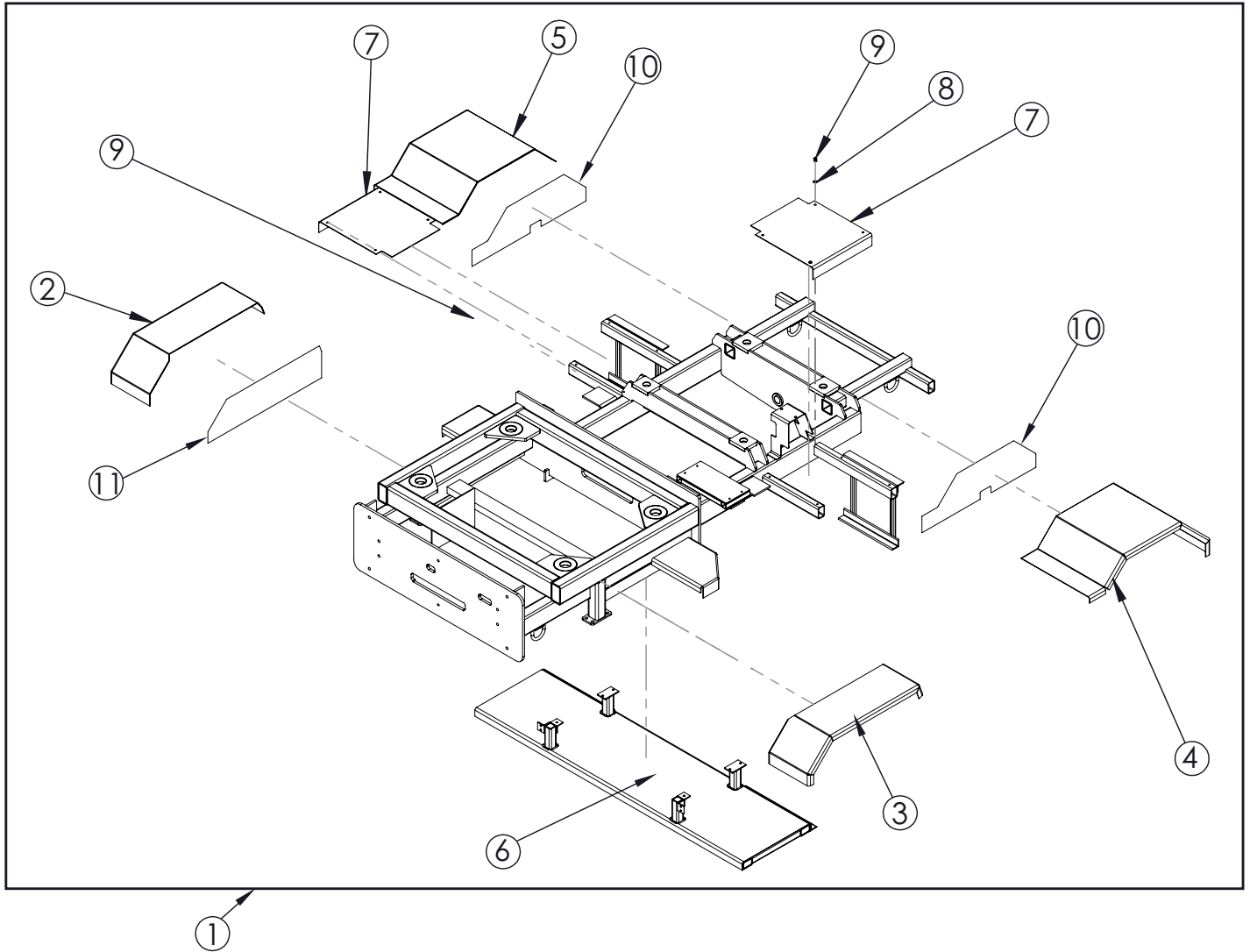


ITEM #	PARTS #	DESCRIPTION	QTY.
1	512850	Hydraulic Tank Assembly	1
2	512866	3" Aluminum Sight Gauge	1
3	439182	Red Hyrdraulic Cap	1
4	513329	Morb-Forb Straight Reducer	3
5	512870	Oil Drain Valve	1
6	513341	90 Degree Fitting	3
7	512817	3/8" NPT Breather Valve	1

 **WARNING:** Cancer and Reproductive Harm  
www.P65Warnings.ca.gov

# CHASSIS

470 - Series Parts Catalog



## CHASSIS (CONT.)

470 - Series Parts Catalog

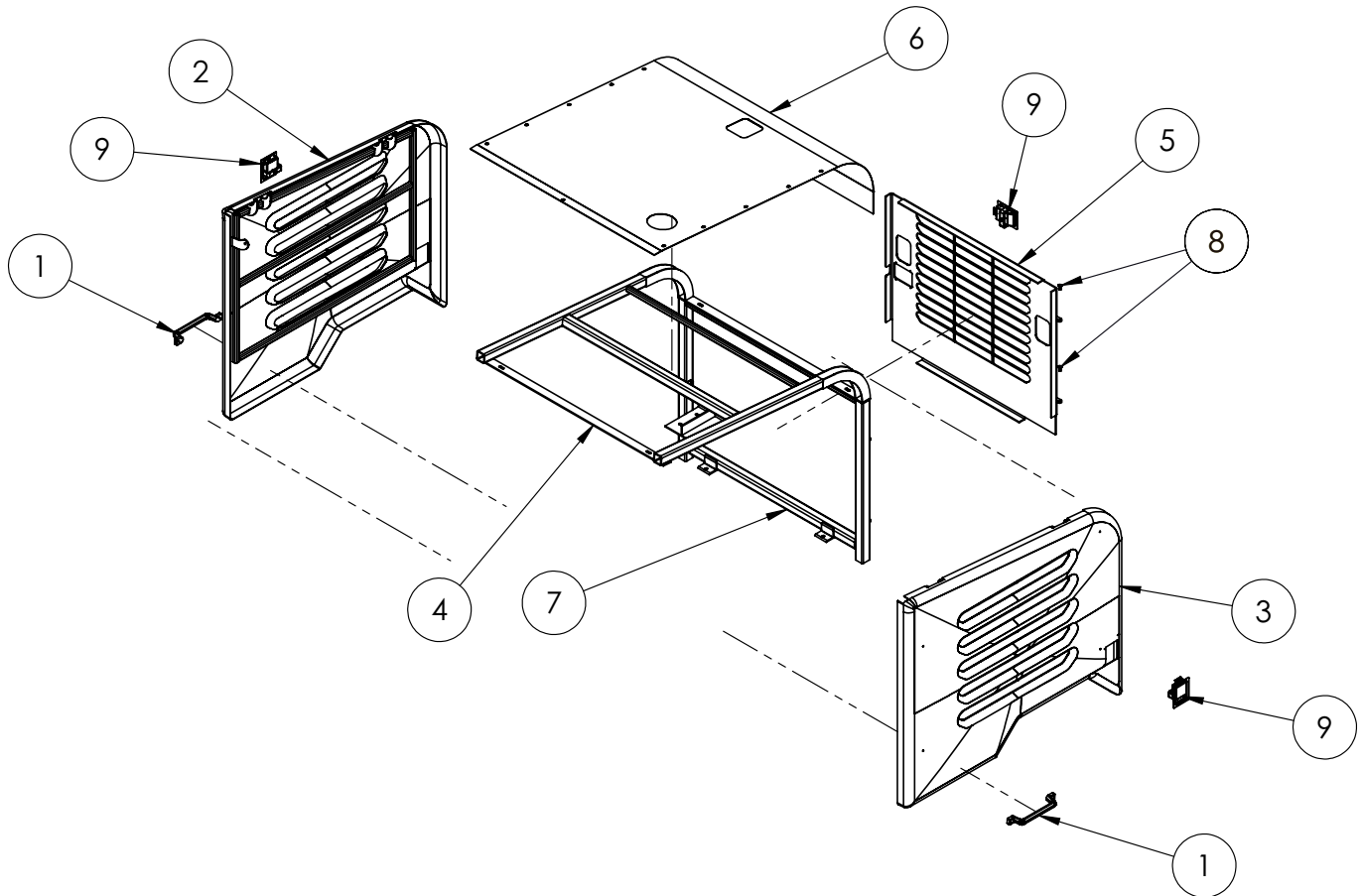
ITEM #	PARTS #	DESCRIPTION	QTY.
1	513001	Main Frame Assembly	1
2	513074	RH Front Fender Assembly	1
3	513072	LH Front Fender Assembly	1
4	513024	LH Rear Fender Assembly	1
5	513026	RH Rear Fender Assembly	1
6	513040	Lower Step Assembly	2
7	513039	Rear Step	2
8	512783	3/8" Black Oxide Stainless Washer	10
9	512788	3/8 - 16x3/4" Stainless Button Head Cap Screw	10
10	512702	Rear Inner Fender	2
11	513079	RH Forward Inner Fender	1
N/S	513077	LH Forward Inner Fender	1
N/S* = Not Shown			



**WARNING:** Cancer  
and Reproductive Harm  
[www.P65Warnings.ca.gov](http://www.P65Warnings.ca.gov)

# ENGINE HOUSING ASSEMBLY

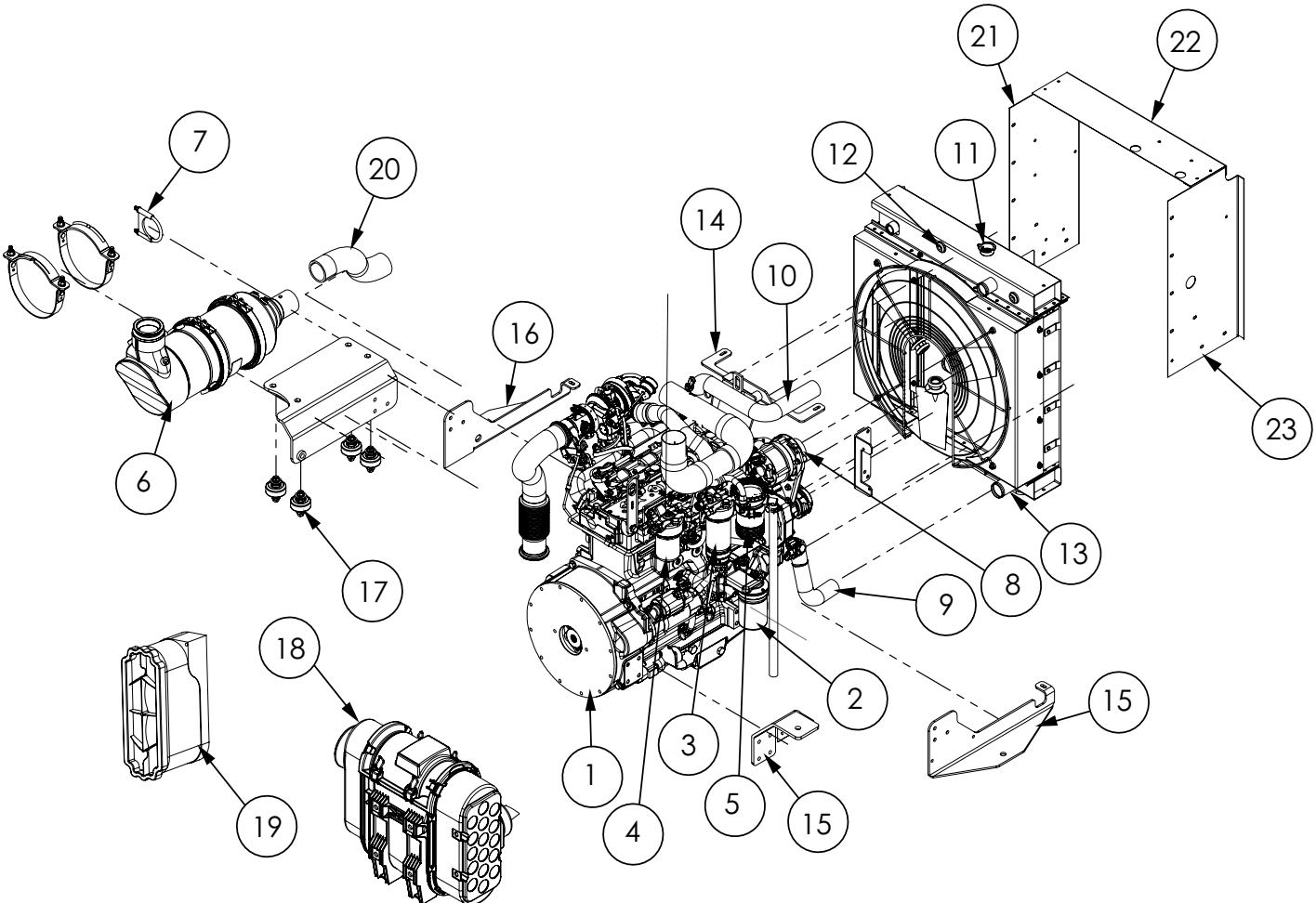
470 - Series Parts Catalog



ITEM #	PARTS #	DESCRIPTION	QTY.
1	390212	Grab Handle	3
2	512578	RH Engine Sidewall Assembly	1
3	512565	LH Engine Sidewall Assembly	1
4	512675	Engine Housing Upper Assembly	1
5	804722	Rear Door Assembly	1
6	512726	Engine Housing Cover	1
7	804685	Rear Door Frame Assembly	1
8	402408	Bolt Shoulder 5/16-18 X 3/8D X 3/8L	2
9	512533	Paddle Latch	3
N/S	512792	#8-32 x 1/2" Stainless Buttone Head Cap Screw Black Oxide	12
N/S	512796	#8 Stainless Washer Black Oxide	12
N/S	512794	#8-32 Stainless Hex Nut Black Oxide	12

# JOHN DEER ENGINE ASSEMBLY

470 - Series Parts Catalog



 **WARNING:** Cancer and Reproductive Harm  
[www.P65Warnings.ca.gov](http://www.P65Warnings.ca.gov)

## JOHN DEER ENGINE ASSEMBLY (CONT.)

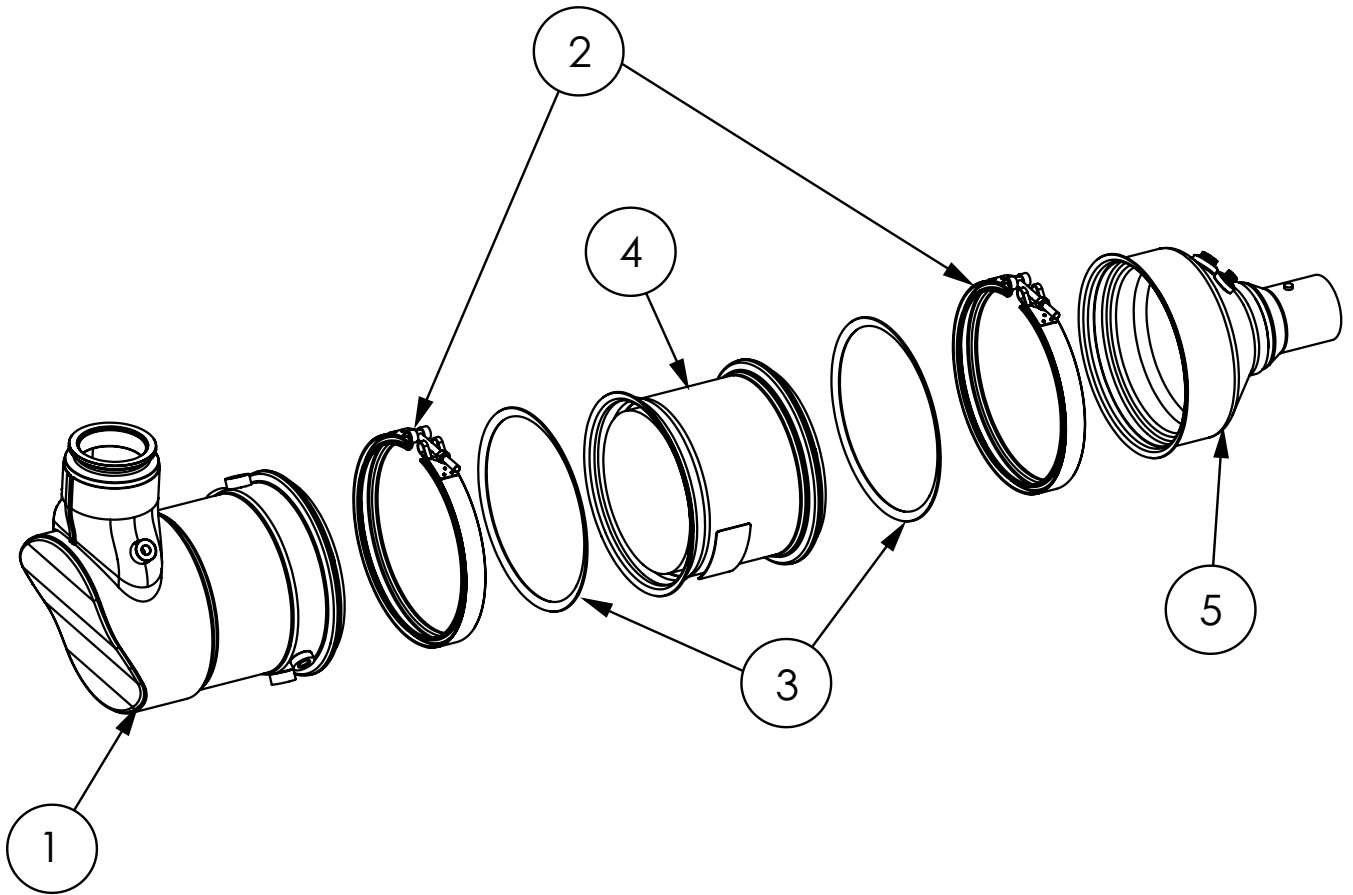
470 - Series Parts Catalog

ITEM #	PARTS #	DESCRIPTION	QTY.
1	512610	Engine	1
2	512615	Engine Oil Filter	1
3	512611	Fuel Filter- Primary	1
4	512613	Fuel Filter- Secondary	1
5	514040	Filter Element, Open Crankcase Ventilation	1
6	N/A	See Page 27	1
N/S	387079	Filter Element, Outer	1
N/S	387078	Filter Element, Inner	1
7	568812	Precleaner Extension Tube Brace Clamp	1
N/S	514050	Air Cleaner Elbow	1
N/S	514051	Air Filter Minder	1
8	514052	Belt, JD 96.85" x 1.097 x 8 Rib	1
9	514053	Hose, Lower Radiator	1
10	514054	Hose, Upper Radiator	1
N/S	514055	Relay, Starter Circuit	1
N/S	514056	Mount Fuse Block	1
N/S	512659	Coolant Level Switch	1
11	514062	Radiator Cap	1
12	512659	Coolant Level Switch	1
13	514063	Isolator, Cooling	1
14	514064	Cantilever Mount, Radiator	1
15	850580	Cantilever Mount, Right Front	1
16	850584	Cantilever Mount, Left Front	1
17	399130	Isolator	4
18	512605	Engine Air Filter	1
19	514044	Engine Air Filter Element Corrugated	1
20	512650	John Deere Tailpipe	1
21	512738	Radiator Shroud Panel, RH Side	1
22	512732	Radiator Shroud Panel, Top	1
23	512736	Radiator Shroud Panel, LH Side	1
N/S	512734	Radiator Shroud Panel, Bottom	1
N/S	514067	Wire Harness, Broce 4045TFC03	1
N/S	514068	Analog Throttle W/Jumper	1
N/S	514069	Battery Cables, JD 36 Long, 2/0	1
N/S	512605	Engine Air Assembly	1
N/S	514052	Fan Belt	1
N/S	512632	Air Filter Cover	1
N/S	344297F	Alternator	1
N/S	512627	5" Rain Cap	1
N/S	512642	Secondary Oil Cooler	1

N/S\* = Not Shown



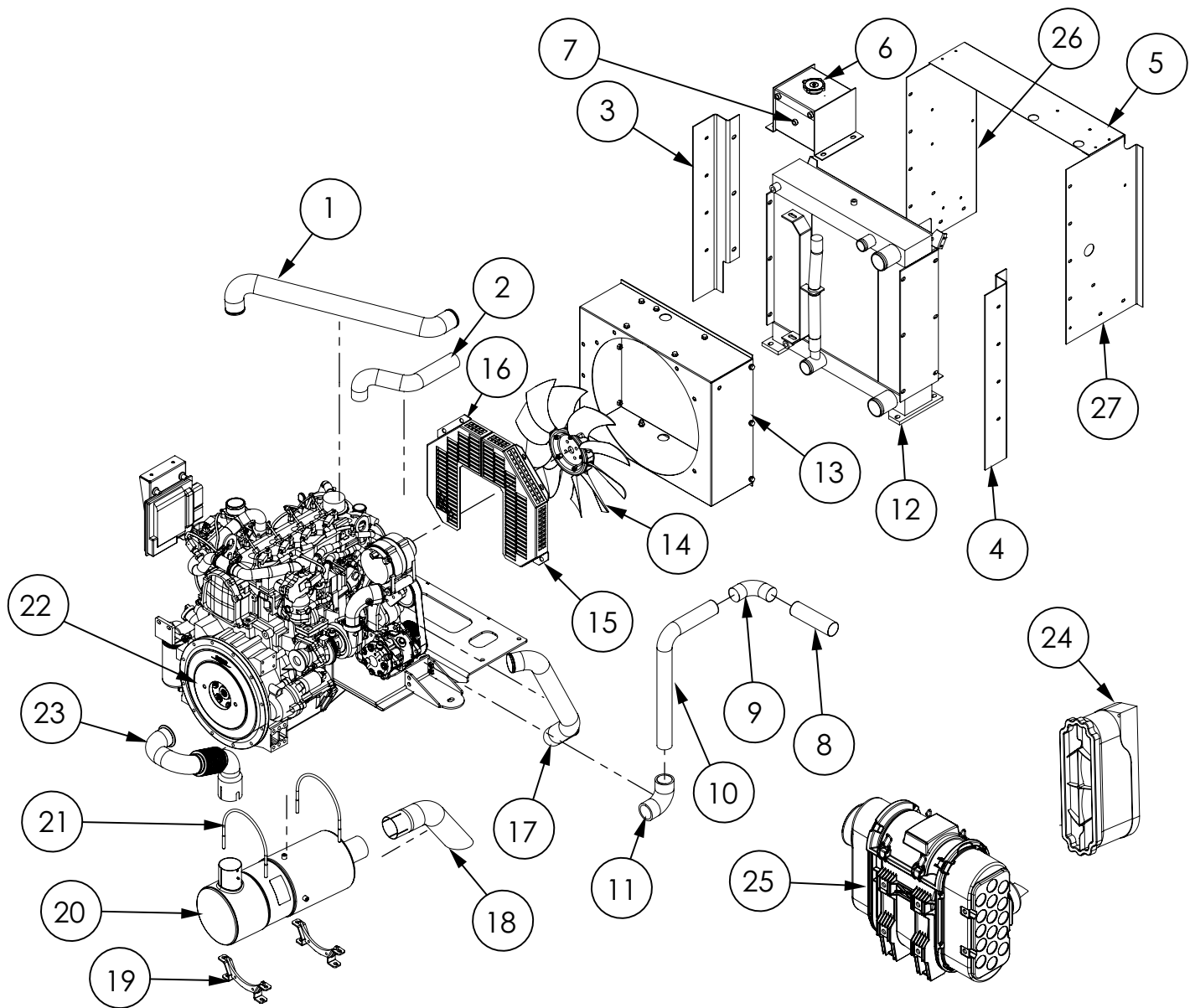
**WARNING:** Cancer and Reproductive Harm  
www.P65Warnings.ca.gov



ITEM #	PARTS #	DESCRIPTION	QTY.
1	344357	DOC, FMJ	1
2	344373	V-Clamp DPF/DOC, FMJ	2
3	344370	DPF With Gasket, FMJ	2
4	344371	DPF Housing Gasket. FMJ	1
5	344372	Exhaust Pipe,Size 2, FMJ	1
N/S	344375	DOC Fitting Plug, FMJ	1
N/S	344376	DOC Drain Plug, FMJ	1
N/S* = Not Shown			

# CUMMINS ENGINE ASSEMBLY

470 - Series Parts Catalog



 **WARNING:** Cancer and Reproductive Harm  
[www.P65Warnings.ca.gov](http://www.P65Warnings.ca.gov)

## CUMMINS ENGINE ASSEMBLY (CONT.)

470 - Series Parts Catalog

ITEM #	PARTS #	DESCRIPTION	QTY.
1	344335	Tube, Cold CAC	1
2	344336	Hose, Upper Radiator	1
3	204706F	LH Tunnel Adapter	1
4	204707F	RH Tunnel Adapter	1
5	512732	Radiator Shroud Panle, Top	1
6	344337	Cap, Radiator	1
7	344338	Coolant Level Sensor	1
8	512649	Cummins Air Intake Pipe	1
9	304110F	2" x 2.5" ruber 90	1
10	344339	Radiator, CAC, HOC	1
11	344343	Shroud, Fan	1
12	344001	Fan, Engine Cooling	1
13	344346	Guard, Fan, Right	1
14	344347	Guard, Fan, Left	1
15	344348	Tube, Hot CAC	1
16	344313	Cummins Exhaust Tube	1
17	344354	Base, CCC Mounting	1
18	344355	DOC, Exhaust	1
19	344356	U-Bolt	1
20	344381	Reservoir, Coolant	1
21	344382	Downpipe, Exhaust	1
22	344382	Downpipe, Exhaust	1
23	344282	Pump Drive/Mount Plate	1
24	514044	Engine Air Filter Element Corrgated	1
25	512605	Engine Air Filter	1
26	512738	Radiator Shroud Panle, RH Side	1
27	512736	Radiator Shroud Panle,LH Side	1
N/S	512734	Radiator Shroud Panle, Bottom	1
N/S	204710	Mass Airflow Mount	1
N/S	204709	Charge Intake Tube Bracket	1
N/S	804716	Cummins Air Filter Bracket Assembly	1
N/S	804708	A/C Filter Adapter	1
N/S	344322	Intake Pipe Gasket	1
N/S	344323	Sensor Mount Gasket	1
N/S	344324	3" x 36" Titanium Knit Sleeve Kit	1
N/S	204710	Mass Airflow Sensor Mount	1
N/S	513038	FWD Engine Mount Assembly, Cummins	1
N/S	204705F	Cummins Muffler Mount	1
N/S	204715F	Filter to Filter Bracket	1
N/S	204713F	Cummins Shroud Top	1

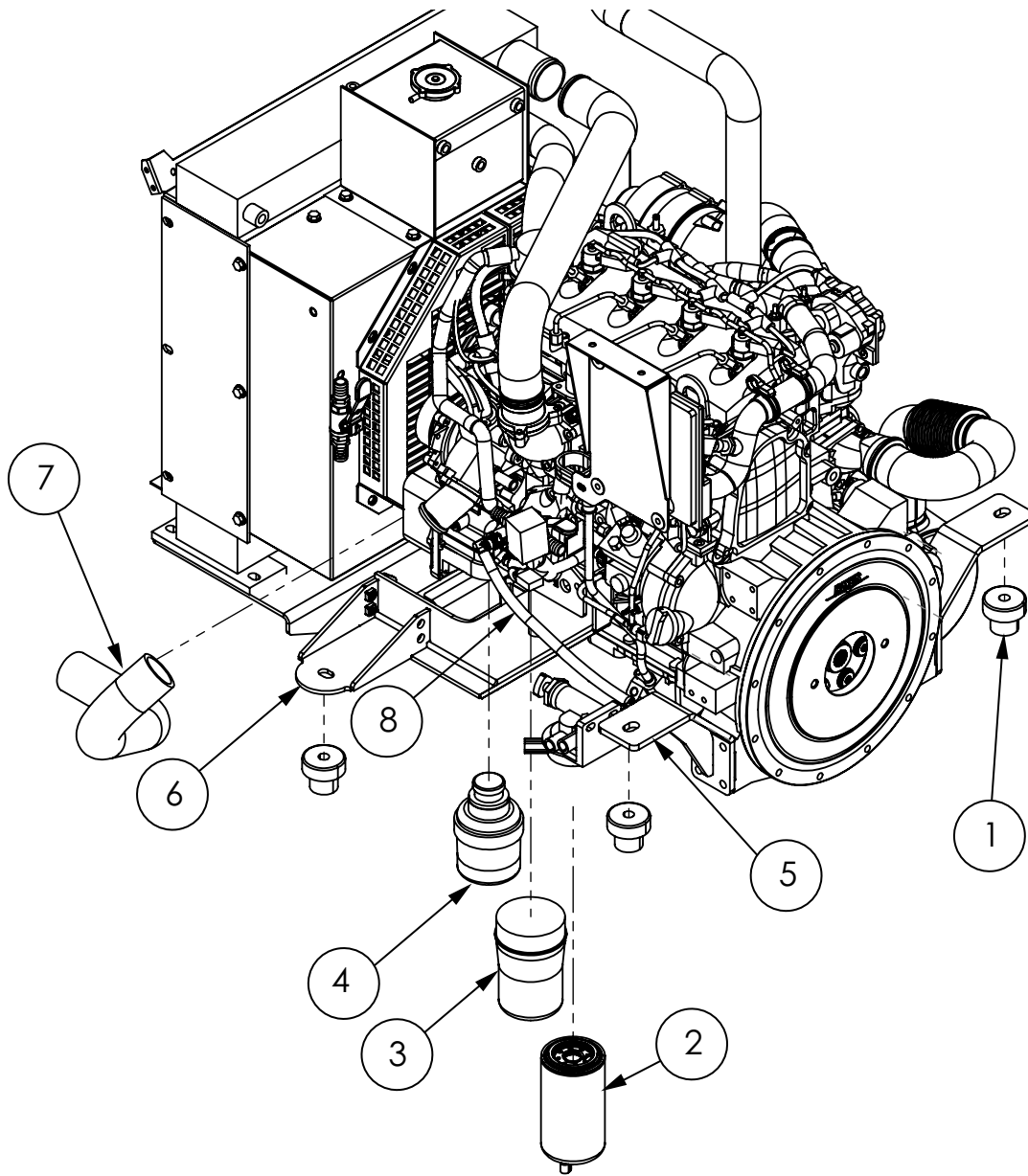
N/S\* = Not Shown



**WARNING:** Cancer and Reproductive Harm  
www.P65Warnings.ca.gov

## CUMMINS ENGINE ASSEMBLY (CONT.)

470 - Series Parts Catalog



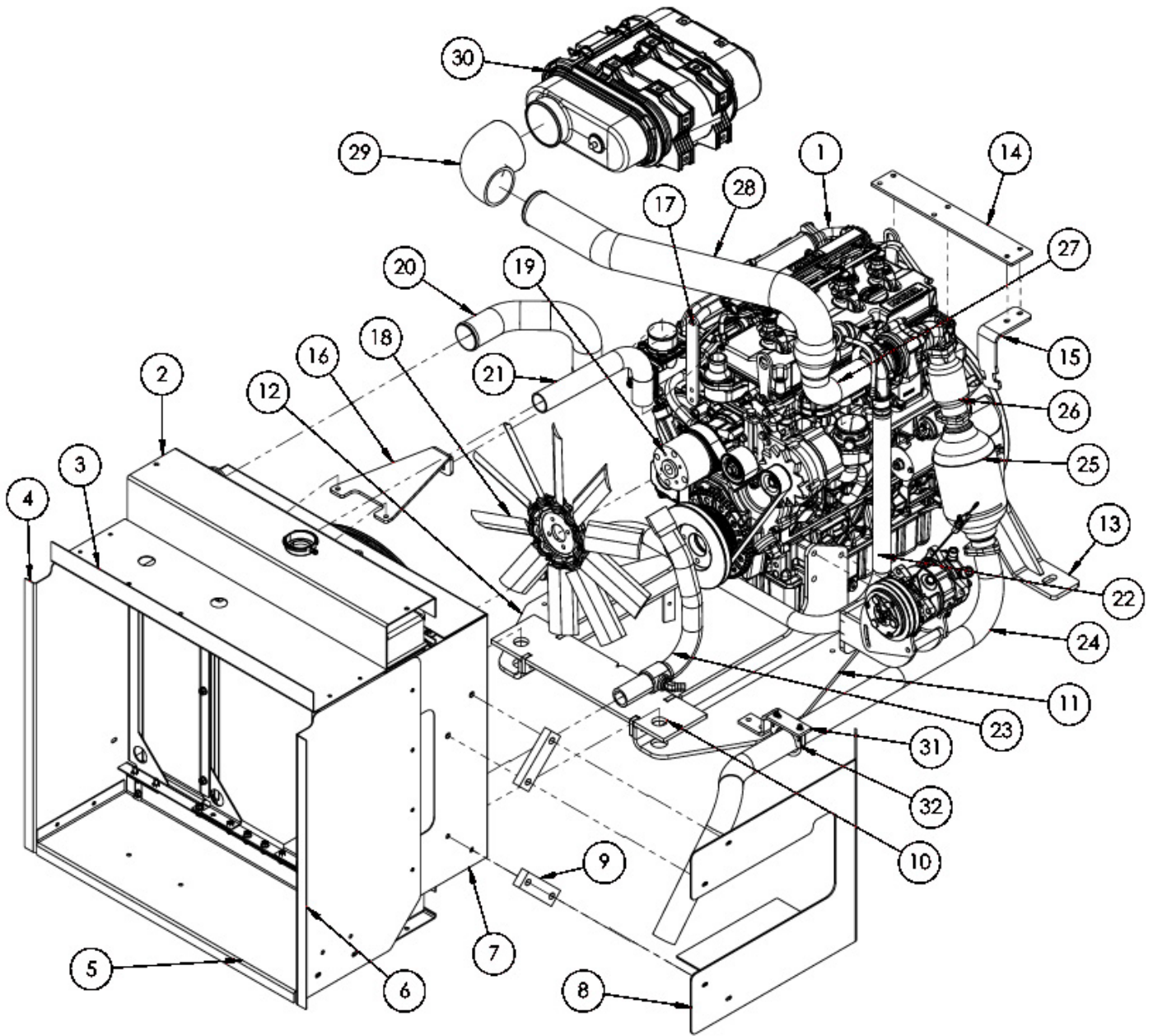
ITEM #	PARTS #	DESCRIPTION	QTY.
1	431304	Isolator, Engine Mount	4
2	344383	Filter, Fuel Secondary	1
3	344384	Filter, Fuel Primary Cartridge	1
4	344385	Filter, Engine Oil	1
5	513038	Forward Engine Mount Assembly Cummins	2
6	344386	Mount, Motor Left Front	1
N/S	344387	Mount, Motor Right Front	1
7	344388	Hose, Lower Radiator	1
8	344389	Fuel Line Cummins 4F	1
N/S	344390	Fuel Hose, Quick-Connect	1

N/S\* = Not Shown

 **WARNING:** Cancer and Reproductive Harm  
www.P65Warnings.ca.gov

# RELKO ENGINE ASSEMBLY

470 - Series Parts Catalog



 **WARNING:** Cancer and Reproductive Harm  
[www.P65Warnings.ca.gov](http://www.P65Warnings.ca.gov)

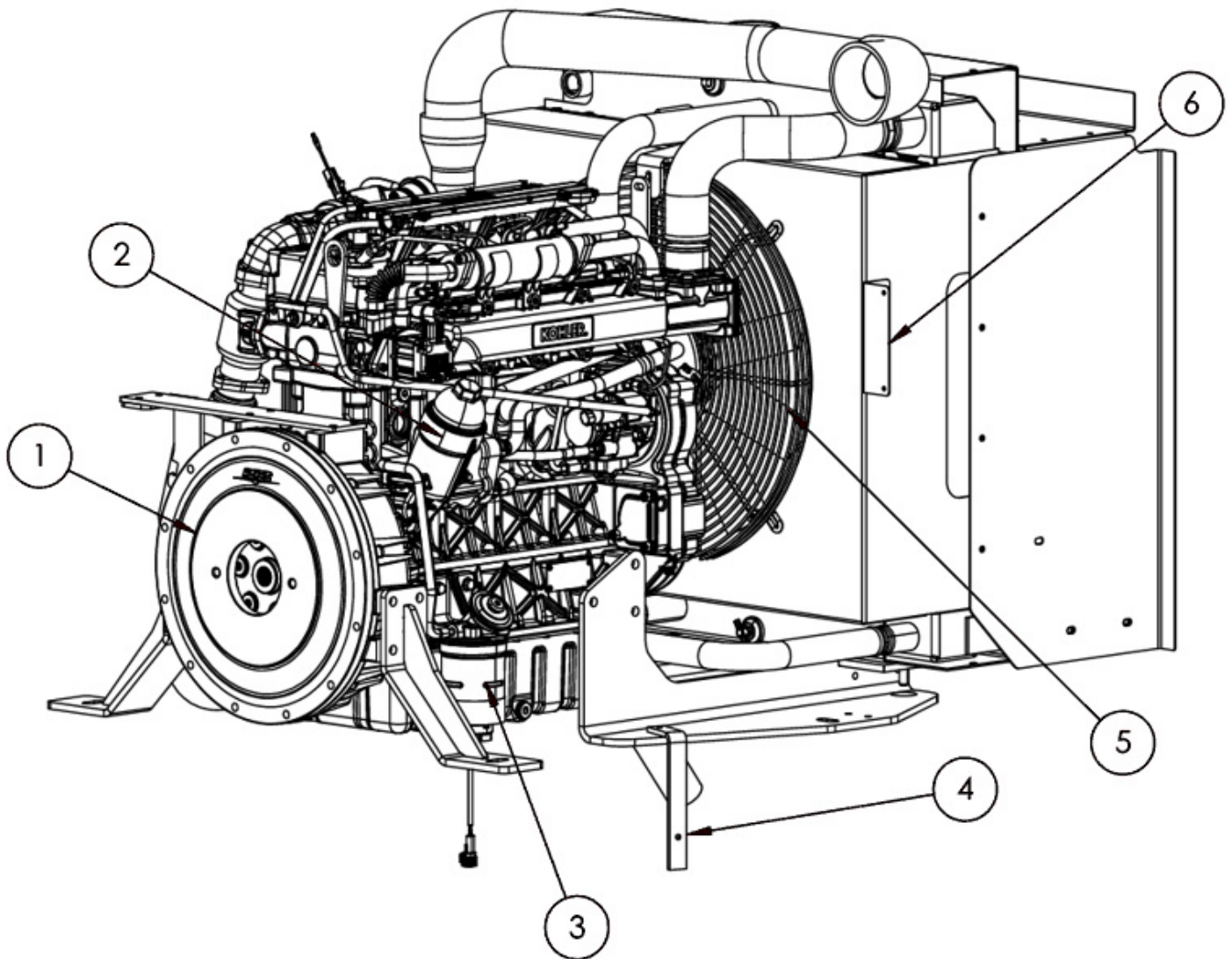
## RELKO ENGINE ASSEMBLY (CONT.)

470 - Series Parts Catalog

ITEM #	PARTS #	DESCRIPTION	QTY.
1	204760	Relko 2504 Base Engine	1
2	344826F	Cooling Package	1
3	204768F	FMR Top Rad Panel	1
4	204767	FMR LH Rad Shroud	1
5	204769F	FMR Bottom Rad Panel	1
6	204766F	FMR RH Rad Shroud	1
N/S	204770F	FMR Rad Spacer	2
7	204765F	FMR Fan Shroud	1
8	804763	Starter Air Shield	1
9	204773	Starter Shield Spacer	2
10	850826F	Cooling Package Mount Assy	1
11	203824F	Left Front Motor Mount	1
12	203825F	Right Front Motor Mount	1
13	804762	FMR Rear Motor Mount Assy	2
14	204780F	FMR DOC Mount	1
15	204779F	FMR Bent DOC Bracket	1
16	203834F	Upper Radiator Mount (Radiator Side)	1
17	203835F	Upper Radiator Mount (Engine Side)	1
18	344825F	Enigne Fan	1
19	344821	Fan Spacer	1
20	344819F	Upper CAC Tube	1
21	344816F	Upper Rad Hose	1
22	344818F	Lower CAC Tube	1
23	344817F	Lower Rad Hose	1
24	204782	FMR Exhaust Tail Pipe	1
25	344859F	Exhaust DOC	1
26	344811F	FMR Exhaust Bellow	1
N/S	344823F	Exhaust DOC Blanket	1
N/S	344835F	Exhaust Bellow Blanket	1
27	204762	90 Turbo Inlet	1
28	204781	FMR Intake Pipe	1
29	512244	4 to 3 Reducer Elbow	1
30	512605	Engine Air Cleaner	1
31	203823F	Lower Exhaust Mount	1
32	344099F	2" Exhaust Clamp	1
N/S* = Not Shown			

## RELKO ENGINE ASSEMBLY (CONT.)

470 - Series Parts Catalog

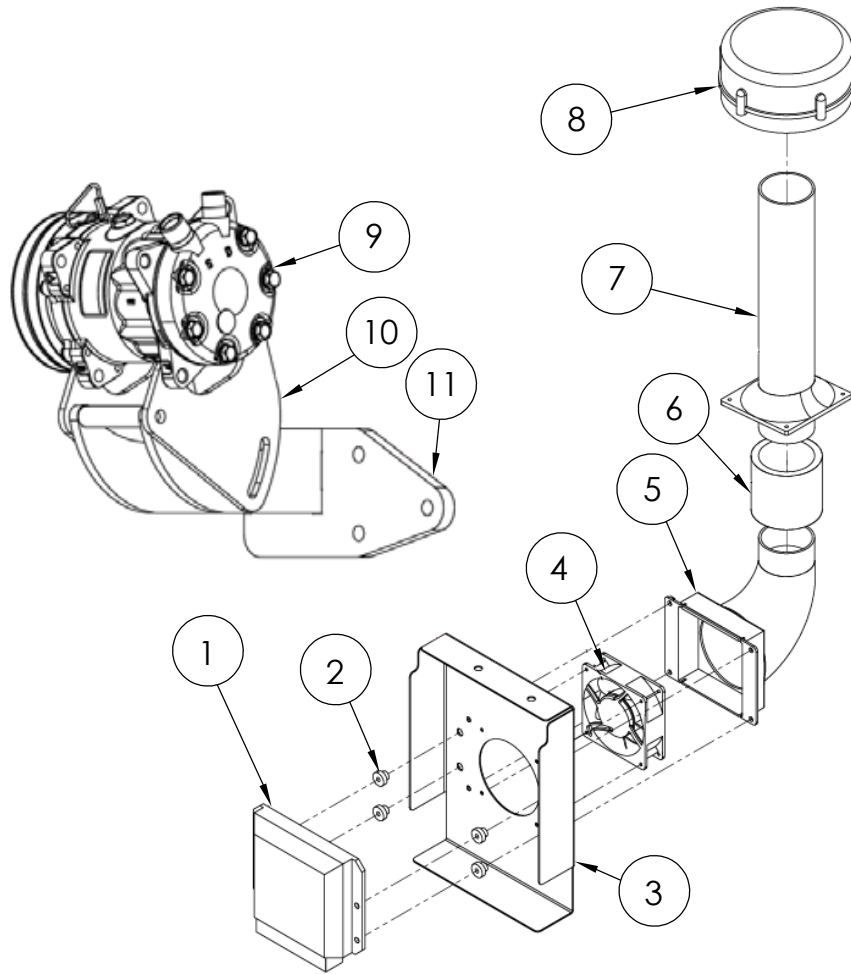


ITEM #	PARTS #	DESCRIPTION	QTY.
1	204761	Drive Plate	1
2	344844F	Oil Filter	1
3	344843F	Fuel Filter	1
4	204787	Hose Control Bracket	1
5	344822F	Fan Finger Guard	1
6	203818F	Fuse Box Mount	1

 **WARNING:** Cancer and Reproductive Harm  
www.P65Warnings.ca.gov

## RELKO ENGINE ASSEMBLY (CONT.)

470 - Series Parts Catalog



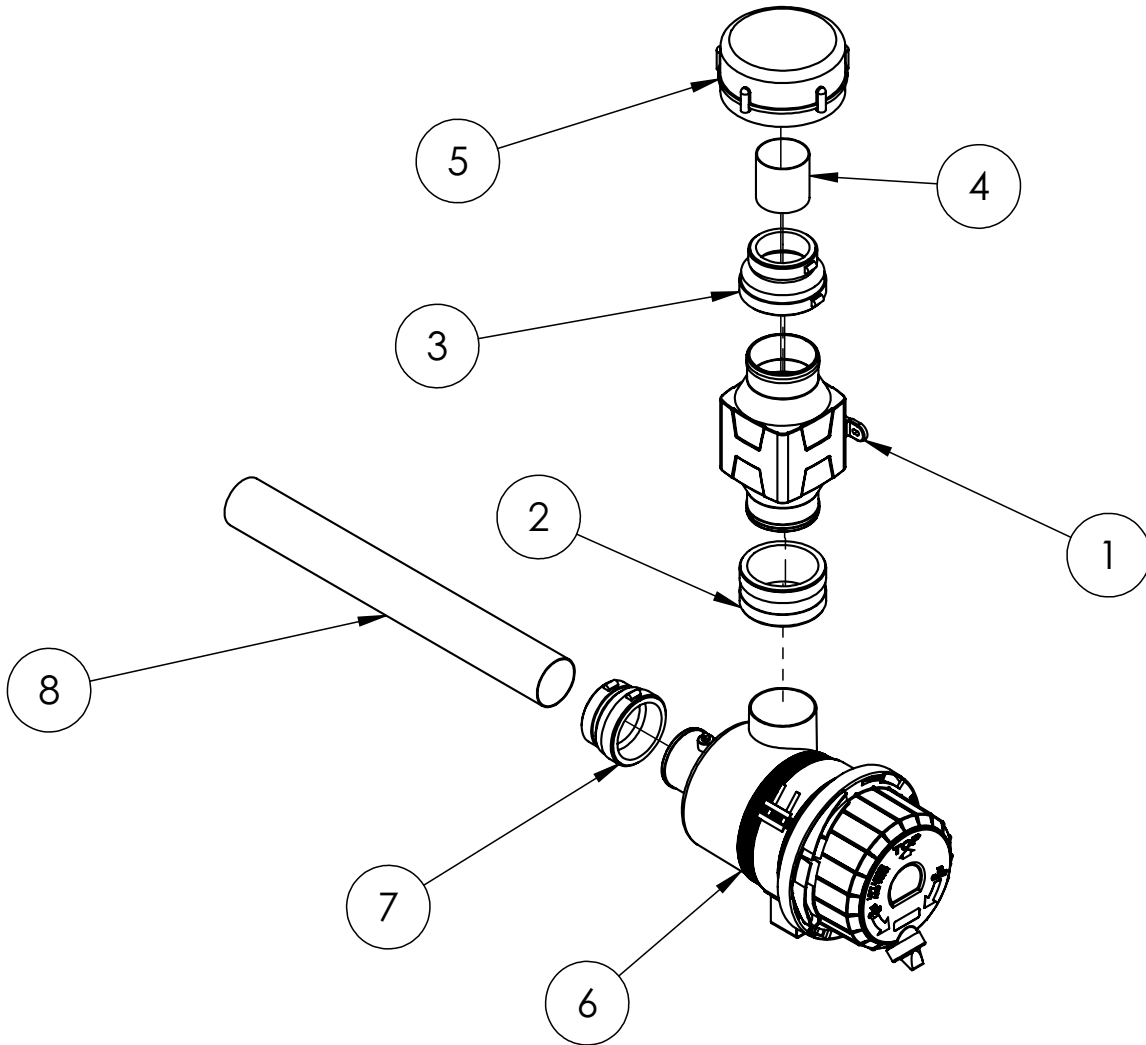
ITEM #	PARTS #	DESCRIPTION	QTY.
1	NA	ECU	1
2	304311F	ISOLATOR BUSHING	4
3	204774F	ECU Mount	1
4	204777	ECU Fan	1
5	204775	ECU Cooler Duct	1
6	204776	ECU Air Intake	1
7	304163	3in Rubber Coupler	1
8	388425	3" Precleaner	1
9	403170F	Compressor	1
10	203655F	Compressor Adjustment Plates	2
11	850832F	Compressor Mount	1
N/S	344824F	Compressor V Belt	1
N/S	344836F	Serpentine Belt	
N/S	344815F	A/C Pulley	1
N/S	344832F	Throttle	1
N/S	204789	Throttle Spacer	2

N/S\* = Not Shown

**WARNING:** Cancer and Reproductive Harm  
www.P65Warnings.ca.gov

# CABIN AIR FILTER ASSEMBLY

470 - Series Parts Catalog

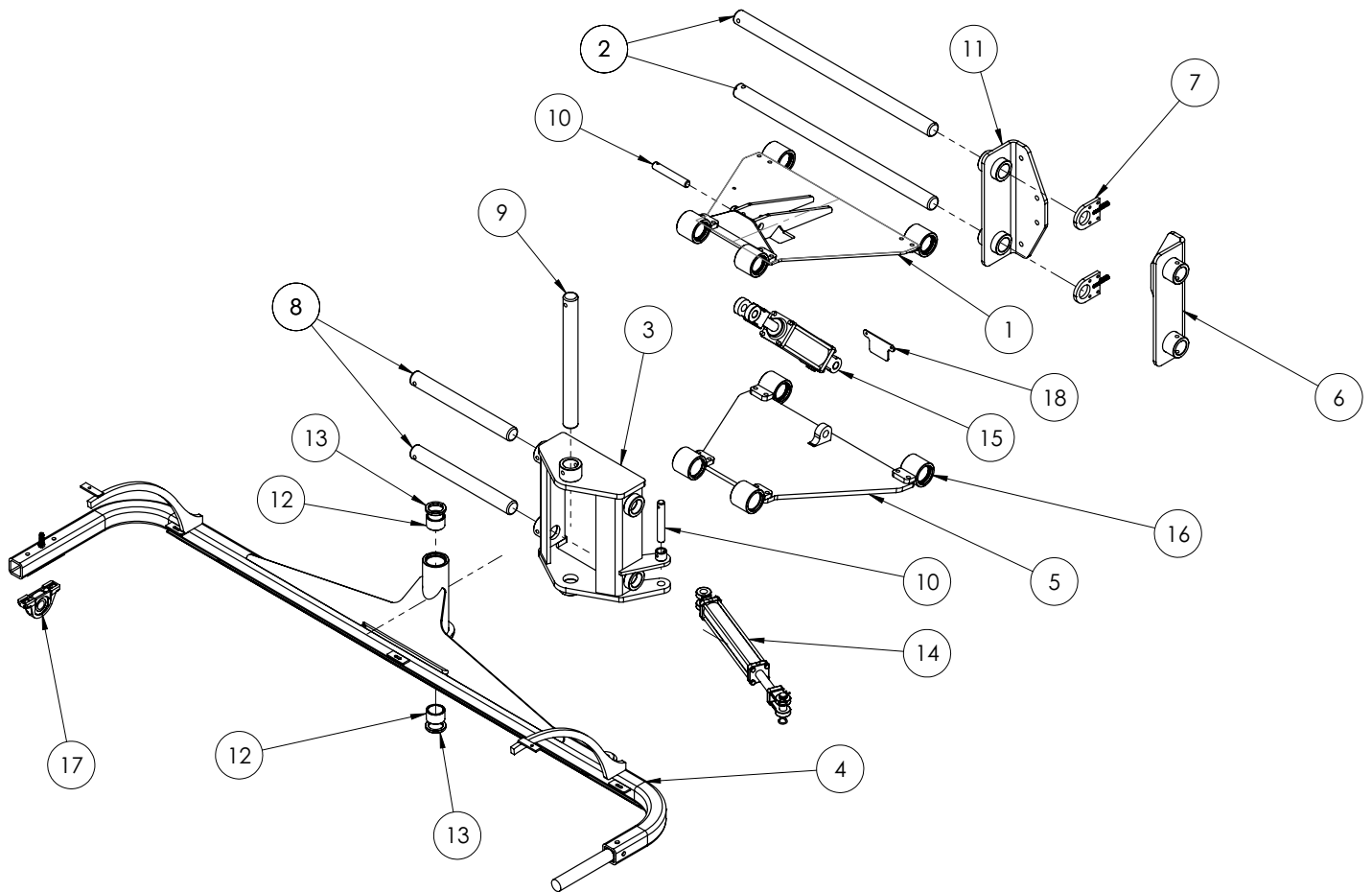


ITEM #	PARTS #	DESCRIPTION	QTY.
1	512276	In-Line Blower	1
2	512272	4" Rubber Coupler	1
3	512274	4"-3" Rubber Reducer	1
4	387101	3.00 x 16 x 3.00 Tube	1
5	388426	Precleaner	1
6	512202	Cabin Air Filter Housing	1
7	512207	3 1/2" - 3" Rubber Reducer	1
8	512194	3" Flex Tube	3.125'
N/S	512214	Air Filter Element	1
N/S* = Not Shown			

 **WARNING:** Cancer and Reproductive Harm  
www.P65Warnings.ca.gov

# NON-SIDE SHIFT LIFT ASSEMBLY

470 - Series Parts Catalog



 **WARNING:** Cancer and Reproductive Harm  
[www.P65Warnings.ca.gov](http://www.P65Warnings.ca.gov)

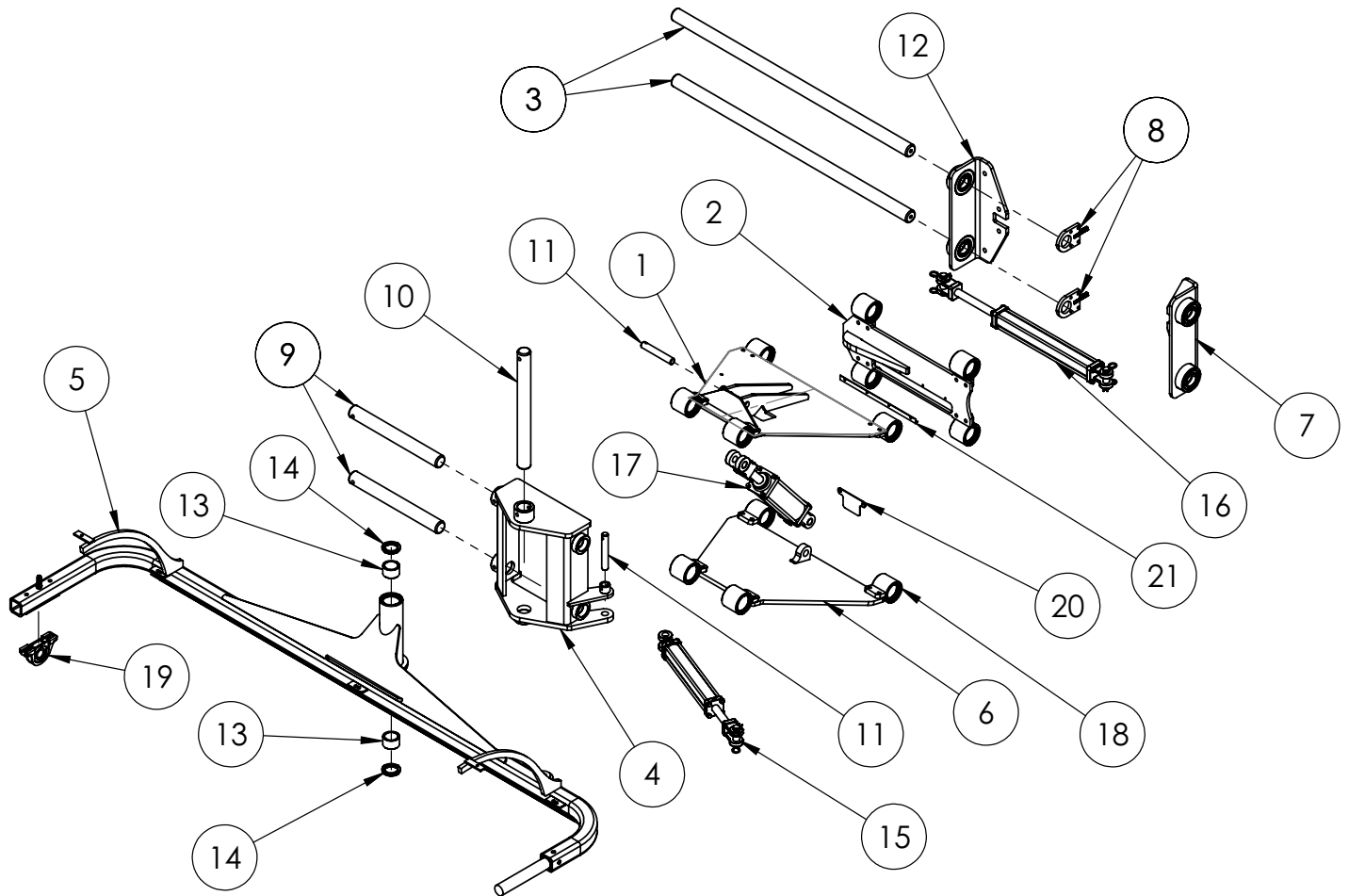
## NON-SIDE SHIFT BROOM LIFT ASSEMBLY (CONT.)

470 - Series Parts Catalog

ITEM #	PARTS #	DESCRIPTION	QTY.
1	513210	Broom Assembly Arm Lower	1
2	514018	Pin, 2.00 x 37	2
3	513292	Weldment, Broom Rotate	1
4	513144	Broom Frame Assembly	1
5	513199	Broom Arm Lower Assembly	1
6	514020	Non-Side Shift Weldment, Slide Mount LH	1
7	513261	Shaft Collar	2
8	513294	Pin, 2.00 x 17.75	2
9	513232	Pin, 2.00 x 21.00	1
10	378604	Pin, 1.00 x 6.00	1
11	514019	Non-Side Shift Weldment, Slide Mount RH	1
12	501601	Bushing, 2.00 x 2.50 x 1.5	10
13	513237	Seal, 2.00 x 2.75 x .34	18
14	513252	2" x 12" Cylinder	1
15	513255	3" x 8" Cylinder	1
16	513195	Pivot Boss	8
17	512325	Pillow Block Bearing	1
18	514410	Hose Anticrush Plate	1

# SIDE SHIFT LIFT ASSEMBLY

470 - Series Parts Catalog



## SIDE SHIFT BROOM LIFT ASSEMBLY (CONT.)

470 - Series Parts Catalog

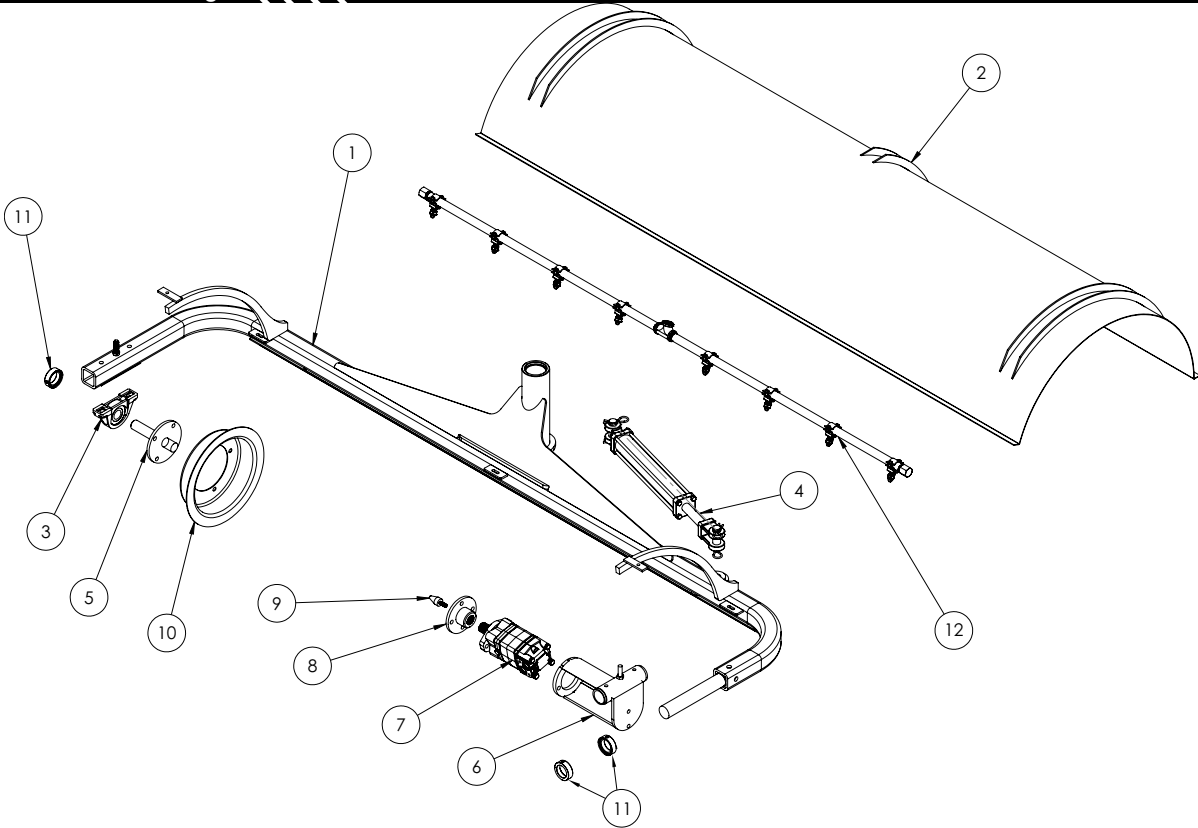
ITEM #	PARTS #	DESCRIPTION	QTY.
1	513210	Broom Assembly Arm Lower	1
2	513230	Broom Slider Assembly	1
3	513198	Pin, 2.00 x 50	2
4	513292	Weldment, Broom Rotate	1
5	513144	Broom Frame Assembly	1
6	513199	Side Shift Broom Arm Lower Assembly	1
7	513225	Weldment, Slide Mount LH	1
8	513261	Shaft Collar	2
9	513294	Pin, 2.00 x 17.75	2
10	513232	Pin, 2.00 x 21.00	1
11	378604	Pin, 1.00 x 6.00	1
12	513296	Side Shift Weldment, Slide Mount RH	1
13	501601	Bushing, 2.00 x 2.50 x 1.5	14
14	513237	Seal, 2.00 x 2.75 x .34	26
15	513252	2" x 12" Cylinder	1
16	513254	2" x 16" Cylinder	1
17	513285	3" x 8" Cylinder	1
18	513195	Pivot Boss	12
19	512325	Pillow Block Bearing	1
20	514410	Hose Anticrush Plate	1
21	512209	Wear Angle	1



**WARNING:** Cancer  
and Reproductive Harm  
[www.P65Warnings.ca.gov](http://www.P65Warnings.ca.gov)

# BROOM CORE SHEILD ASSEMBLY

470 - Series Parts Catalog

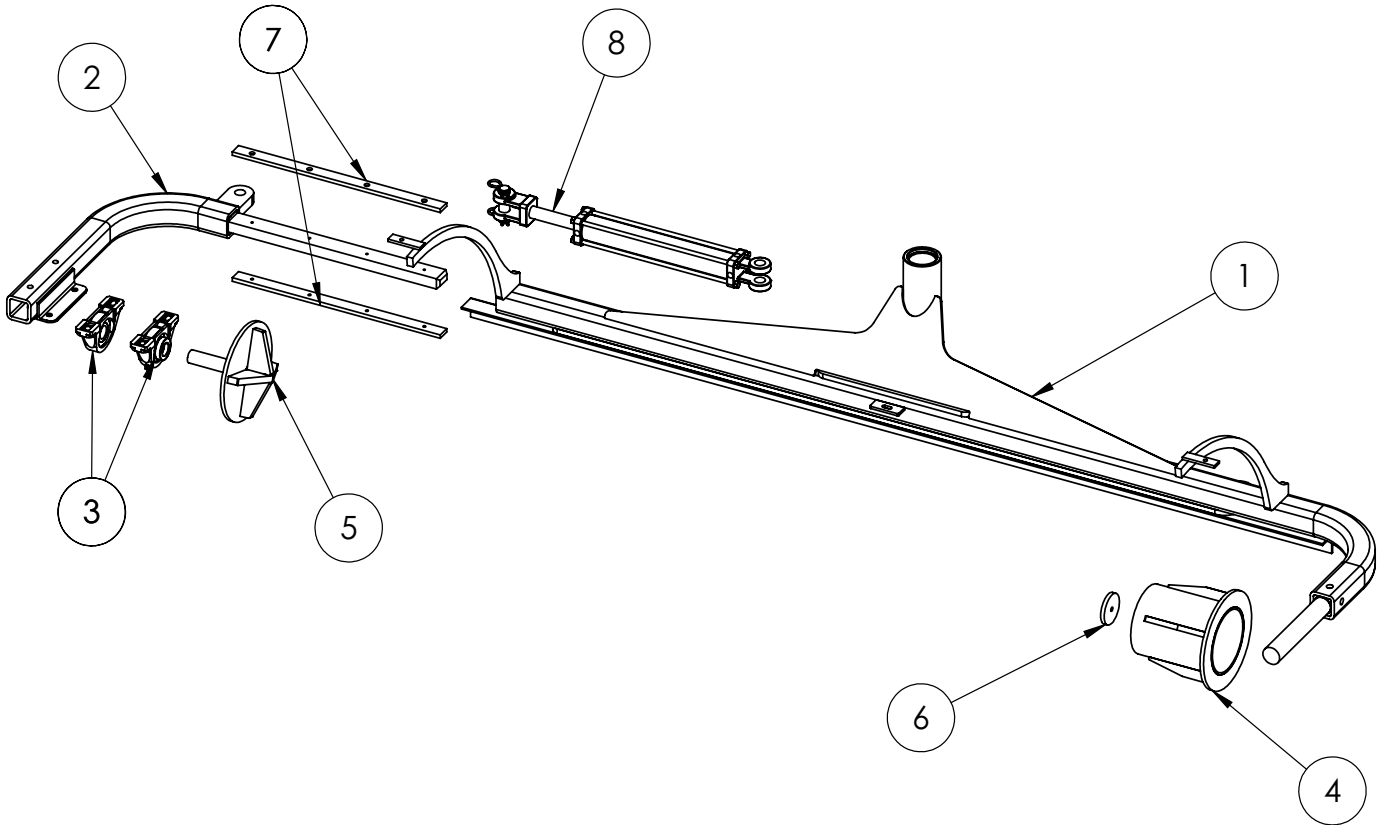


ITEM #	PARTS #	DESCRIPTION	QTY.
1	513144	Broom Frame Assembly	1
2	514208	Core Cover 8'	1
3	513235	Bearing - Concentric	1
4	513252	Cylinder 2" x 12"	1
5	514209	Spindle	1
6	514217	Motor Mount	2
7	514215	Core Motor	1
8	514219	Drive Hub Spline	1
9	514227	Rod Cone Guide	1
10	202144W	Core End Cap	2
11	514221	Lock Ring, Motor Mount	3
12	390442	Spray Bar Assembly	1
N/S	512957	Spray Bar Mount	2
N/S	389873	Spray Bar U-Bolts	2
N/S	514223	Rock Guard Strips	2
N/S	514401	Rear Rock Guard Support Angle	1
N/S	514402	Front Rock Guard Support Angle	1
N/S	514403	Rock Guard Supports	4
N/S	442203	Rock Guard Bolts	24
N/S	305972	Core Motor Seal Kit	-
N/S* = Not Shown			

 **WARNING:** Cancer and Reproductive Harm  
www.P65Warnings.ca.gov

# QUICK CHANGE ASSEMBLY

470 - Series Parts Catalog

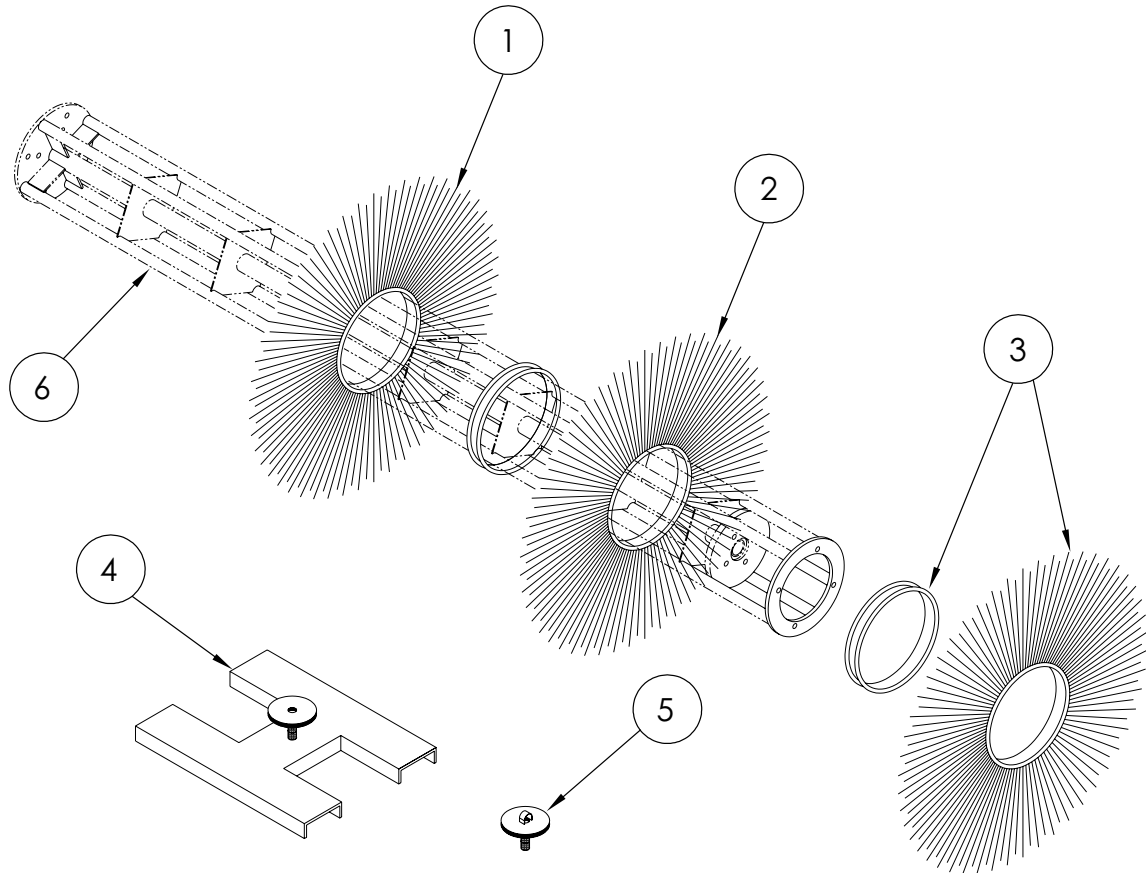


ITEM #	PARTS #	DESCRIPTION	QTY.
1	513926	Quick Change Frame Motor Side Weldment	1
2	513928	Quick Change Frame Shaft Side Weldment	1
3	513235	Pillow Block Bearing	1
4	513910	Quick Change Motor Hub Weldment Assembly	1
5	513917	Quick Change Idler Hub Weldment	1
6	513929	Quick Change Motor Hub Washer	1
7	513932	Quick Change Wear Plate	2
8	513922	Quick Change Shift Cylinder	1
N/S	64931	Screw, Countersunk, 1/4-20 x 3/4	8
N/S* = Not Shown			

 **WARNING:** Cancer and Reproductive Harm  
www.P65Warnings.ca.gov

# BROOM CORE WAFER & SPACERS

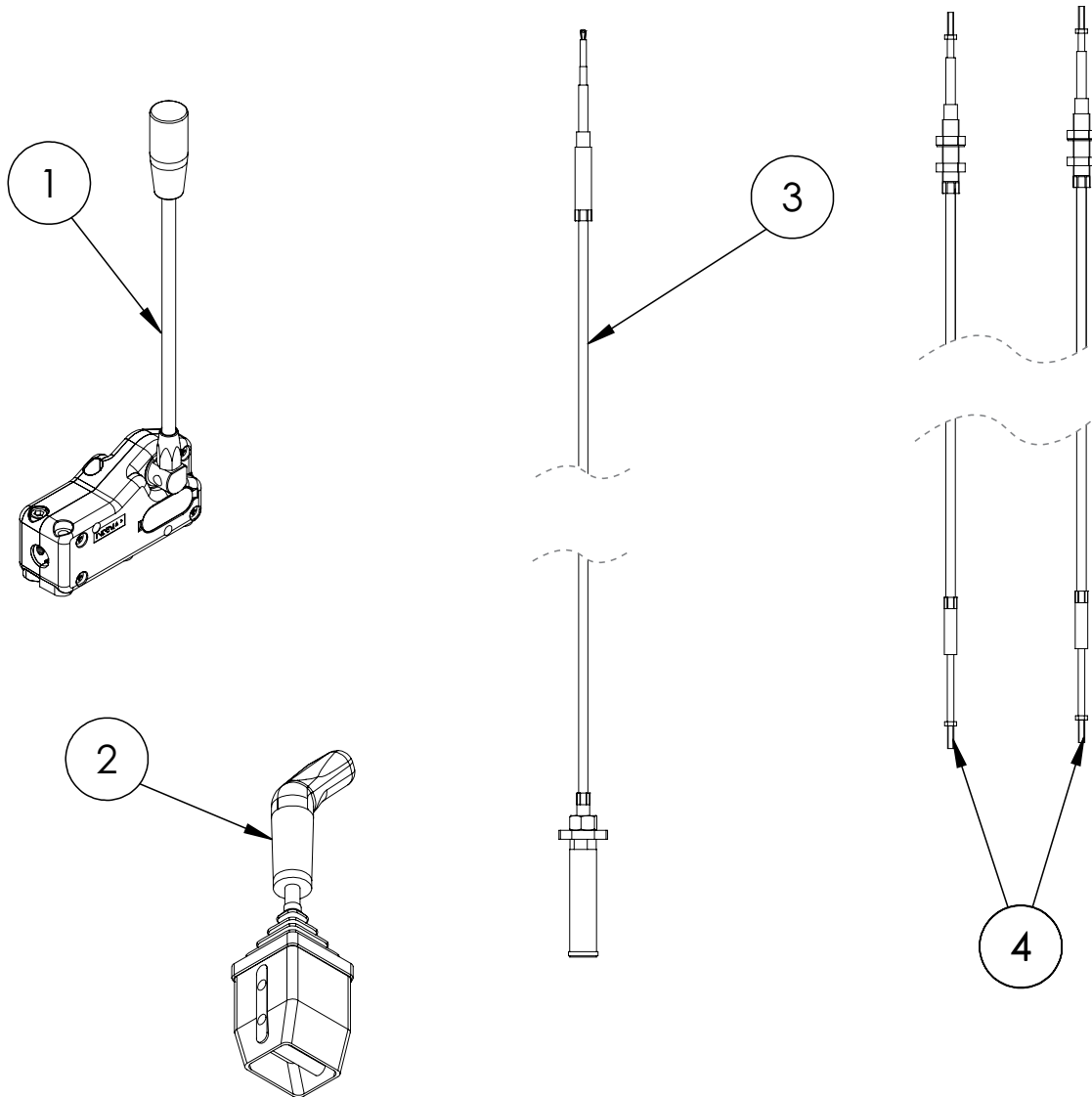
470 - Series Parts Catalog



ITEM #	PARTS #	DESCRIPTION	QTY.
1	514010	10" x 32" Poly Wafer	1
2	514024	10" x 32" Wire Wafer	1
3	KF0003	8' Set, Poly Wafer w Spacers	1
3.1	KF0004	8' Set, 1/2 Poly 1/2 Wire w/Spacers	1
3.2	513925	Poly Quick Change Core	1
3.3	513916	1/2 Poly 1/2 Wire Quick Chnage Core	1
4	514027	Core Service Stand	1
5	514030	Core Service Ring	1
6	850029F	Core Mandrel	1

# HYDROSTATIC CONTROL ASSEMBLIES

470 - Series Parts Catalog



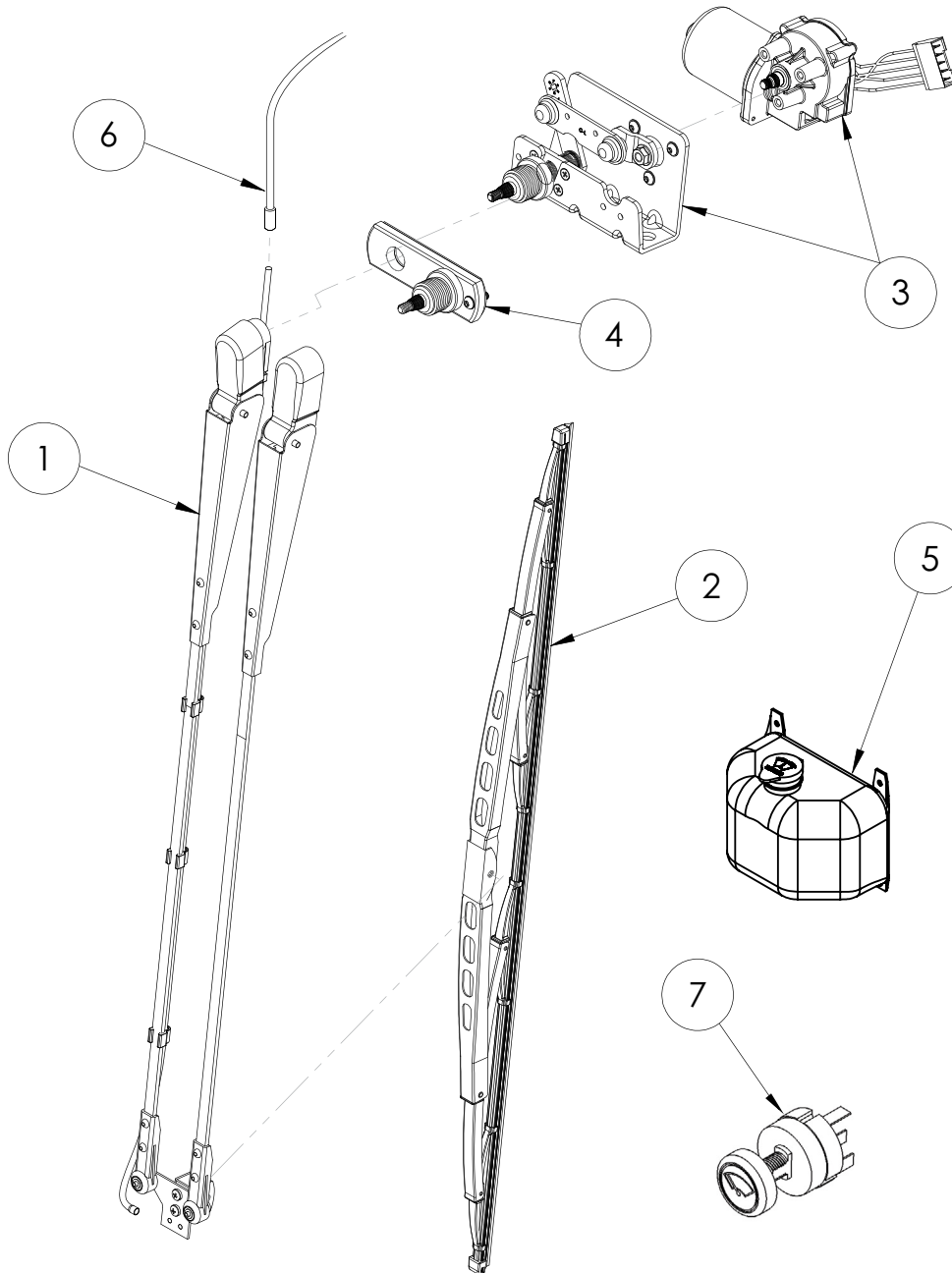
ITEM #	PARTS #	DESCRIPTION	QTY.
1	513346	Single Axis Lever Cable Control Block	1
2	513348	HD Joystick with ON/OFF Switch	1
3	513350	35.4" Push-Pull Cable	2
4	513352	47.2" Push-Pull Cable	1



**WARNING:** Cancer and Reproductive Harm  
www.P65Warnings.ca.gov

# WINDSHIELD WIPER

470 - Series Parts Catalog

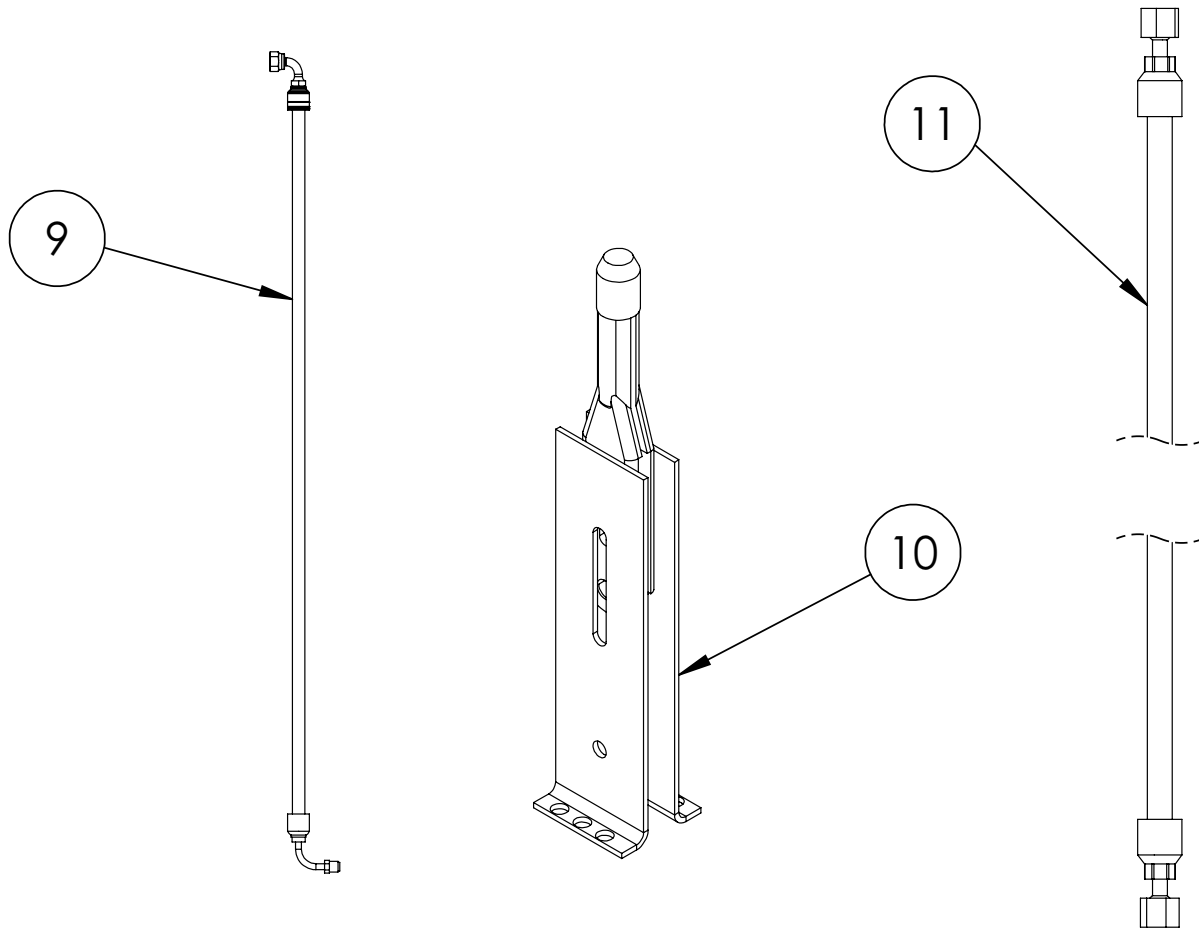


ITEM #	PARTS #	DESCRIPTION	QTY.
1	512117	Wiper Arm	1
2	512119	Wiper Blade	1
3	512113	Wiper Motor	1
4	512115	Slave Pivot	1
5	512121	Washer Pump and Reservoir	1
6	512122	Washer Hose	12 ft
7	513565	Wiper Switch	1

 **WARNING:** Cancer and Reproductive Harm  
www.P65Warnings.ca.gov

# BRAKE CONTROL

470 - Series Parts Catalog

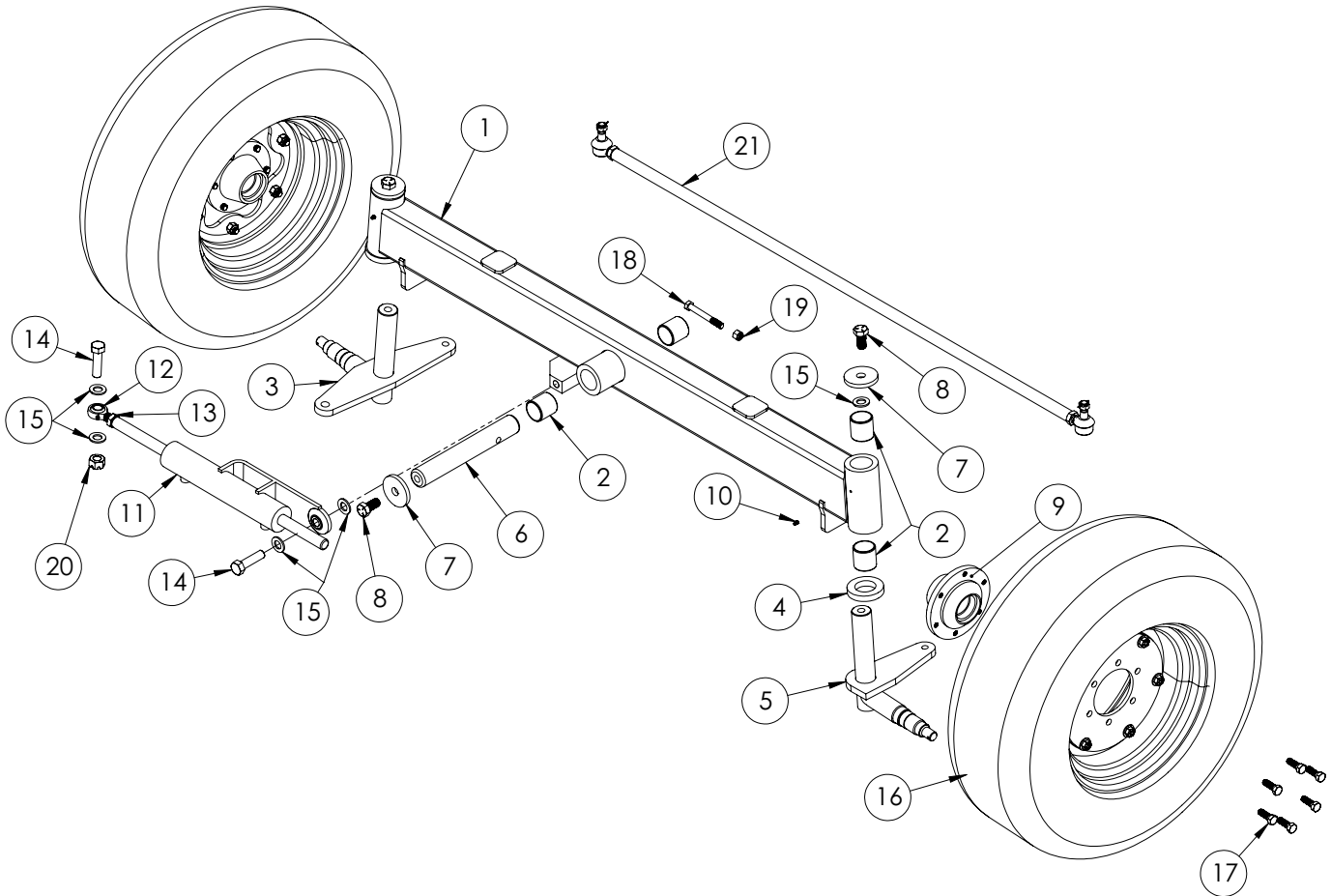


ITEM #	PARTS #	DESCRIPTION	QTY.
9	513414	Brake Line Hose Assembly	1
10	513114	Emergency Brake	1
11	513410	Brake Valve Hose Assembly	1

 **WARNING:** Cancer and Reproductive Harm  
www.P65Warnings.ca.gov

# REAR AXLE ASSEMBLY & TIRES

470 - Series Parts Catalog



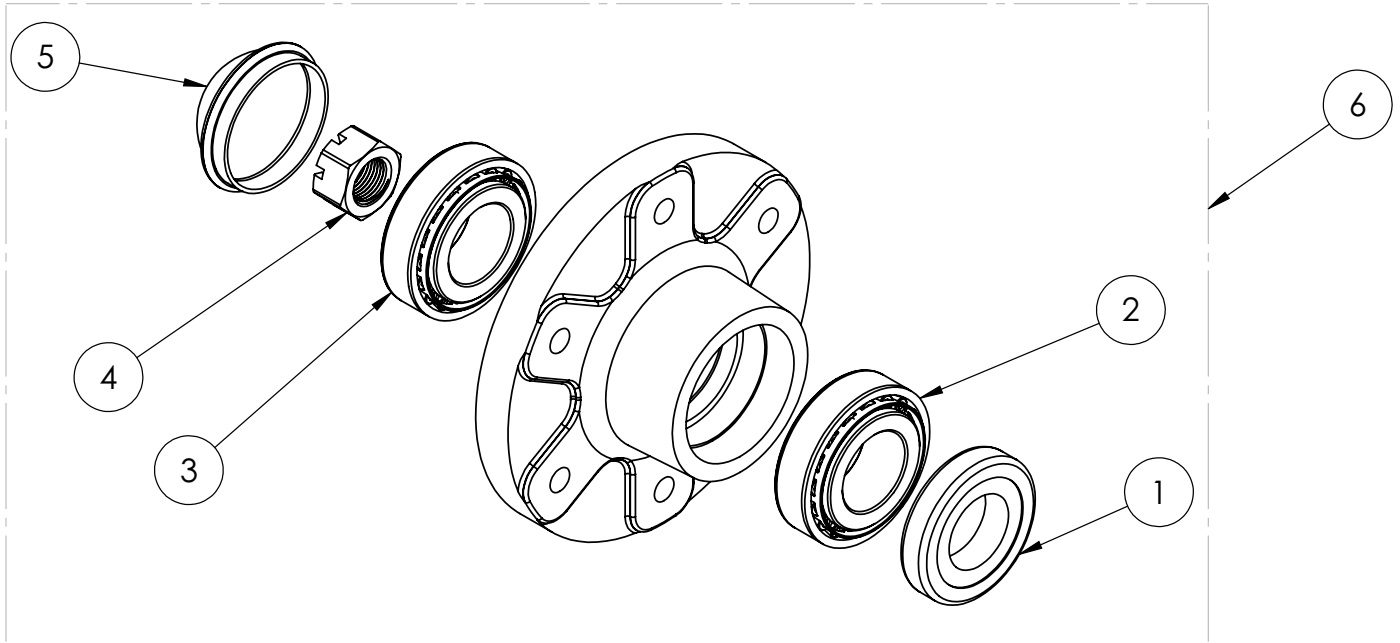
# REAR AXLE ASSEMBLY & TIRES(CONT.)

470 - Series Parts Catalog

ITEM #	PARTS #	DESCRIPTION	QTY.
1	31401	Grease Zerk, .25-20 STR	3
2	V63023100	Thrust Washer, Lower	2
3	804726	Weldment, Axle	1
4	804729	Weldment, Spindle, Right	1
5	804727	Weldment, Spindle, Left	1
6	513165	Hub, 6 on 6	2
7	513166	Rear Wheel and Tire	2
N/S	513156	Front Wheel and Tire	2
N/S	513157	Rear Wheel	2
N/S	513902	Front Wheel	2
N/S	513159	Tire	4
8	840730	Tie Rod Assembly	1
9	513175	Washer, 3/4" x 3 1/2" x 3/8"	3
10	513176	Pin, Axle Pivot 1.75 x 12.06	1
11	203526F	Cylinder 2 x 6, Bailey 400-511	2
12	63023100	Brass Bushing, 1.75 ID x 2 OD x 2 Long	6
13	13276	Hex Lock Nut 1.00 - 8 UNC	4
14	12385	Hex Head Bolts, .75 x 1.5	3
15	V00609200	Hex Head Bolts, 1.00 x 3.50	2
16	512260	Lug Bolts, .50-20	12
17	11783	Bolts, .50 x 4.00	1
18	11981	Nylon Lock Nut .50-13	1
19	407908	Kit, Tie Rod End - LH	1
20	407916	Kit, Tie Rod End - RH	1
N/S	513201	3/4" - 16 Thin Hex Nut LH Thread	1
N/S	513203	3/4" - 16 Thin Hex Nut RH Thread	1
N/S	12005	Washer .56 Flat	1
21	513176	Axle Pivot Pin	1
N/S	804806	Wheel + Rear Spacer + Tire	2
N/S	804807	Wheel + Front Spacer + Tire	2
N/S* = Not Shown			

# REAR WHEEL HUB ASSEMBLY

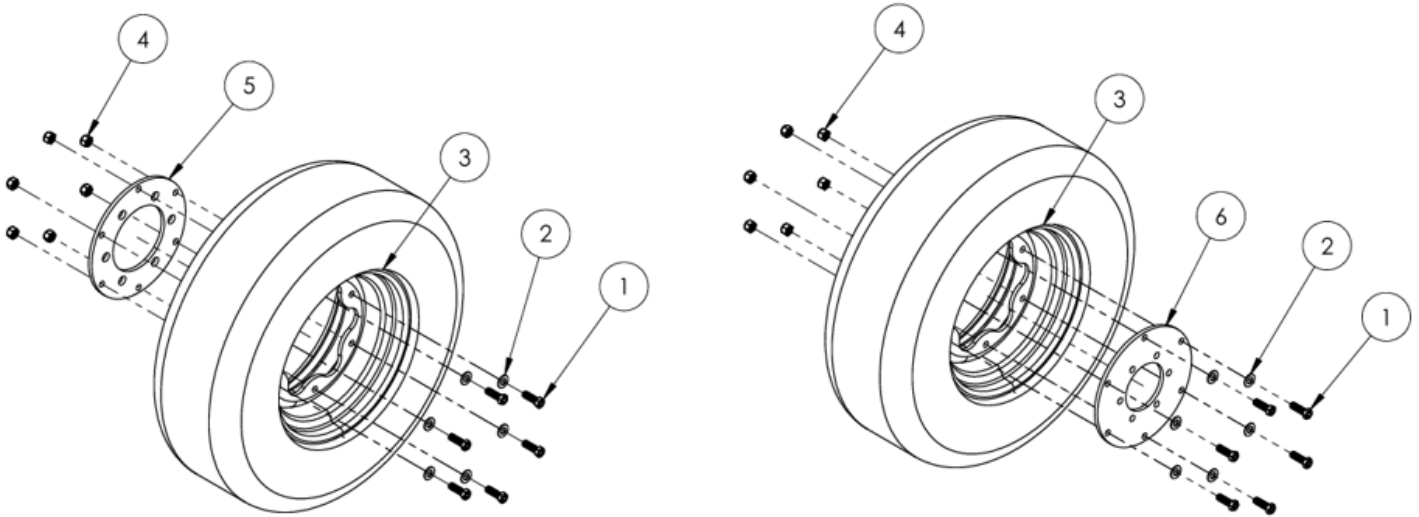
470 - Series Parts Catalog



ITEM #	PARTS #	DESCRIPTION	QTY.
1	513174	Grease Seal	1
2	513165	Inner Taper Bearing	1
3	513158	Outer Taper Bearing	1
4	513152	Castle Nut	1
5	513151	Grease Cap	1
6	513155	Complete Rear Hub Assembly	1
N/S	513154	Washer	1
N/S* = Not Shown			

# REAR WHEEL HUB ASSEMBLY

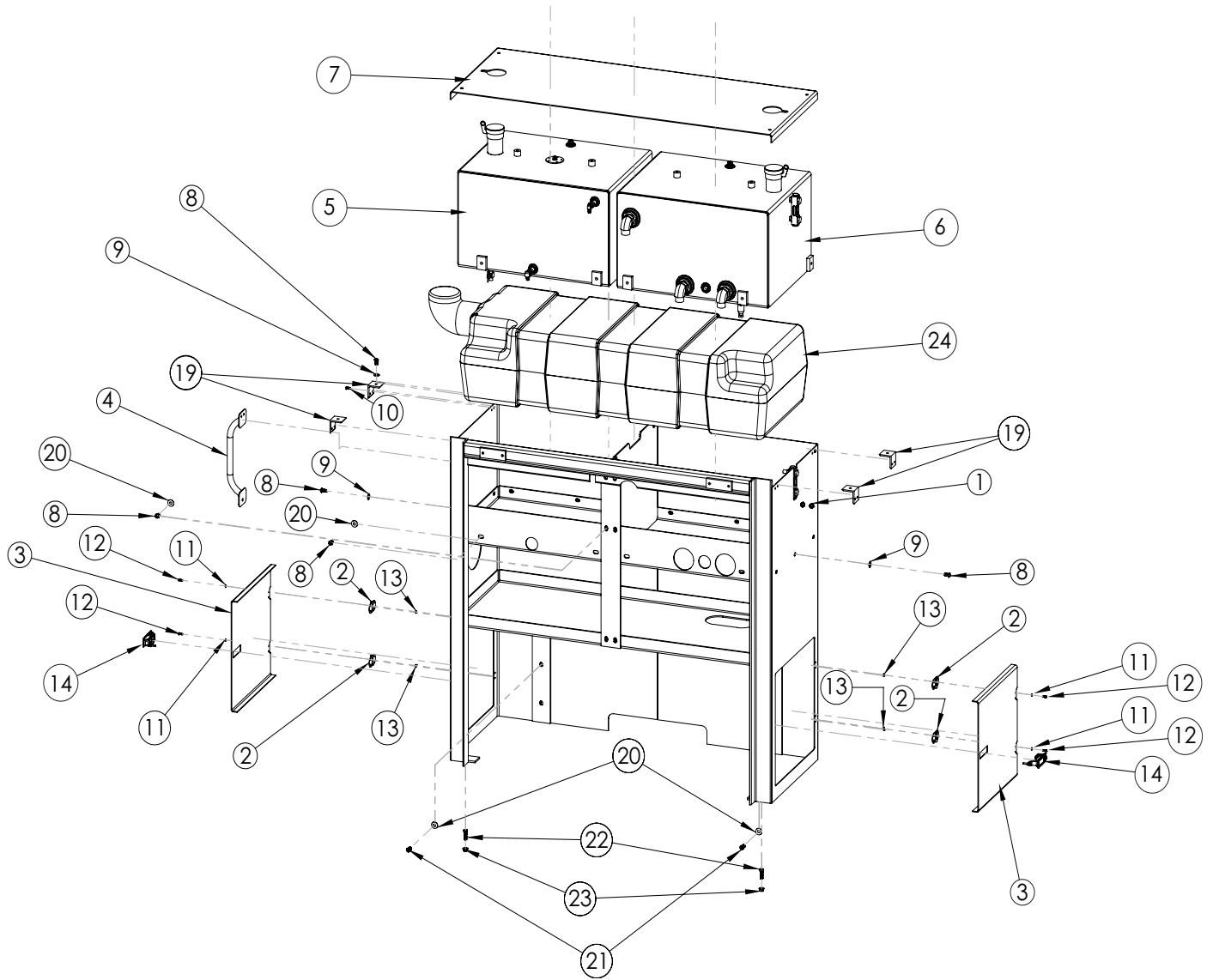
470 - Series Parts Catalog



ITEM #	PARTS #	DESCRIPTION	QTY.
1	402075	9/16"-12 Grade 8 Bolt	24
2	402077	9/16"-12 Grade 9 Washer	24
3	804805	UNI Wheel and Tire	4
N/S	204805	UNI Wheel	4
N/S	513159	Tire 245/75/R16	4
N/S	804806	UNI Wheel and Tire and Rear Spacer	2
N/S	804807	UNI Wheel and Tire and Front Spacer	2
4	402076	9/16"-12 Grade 8 Locknut	24
5	204807	Front Wheel Disc Spacer	2
6	204806	Rear Wheel Disc Spacer	2
N/S* = Not Shown			

# HYDRAULIC & FUEL TANK CABINET ASSEMBLY

470 - Series Parts Catalog



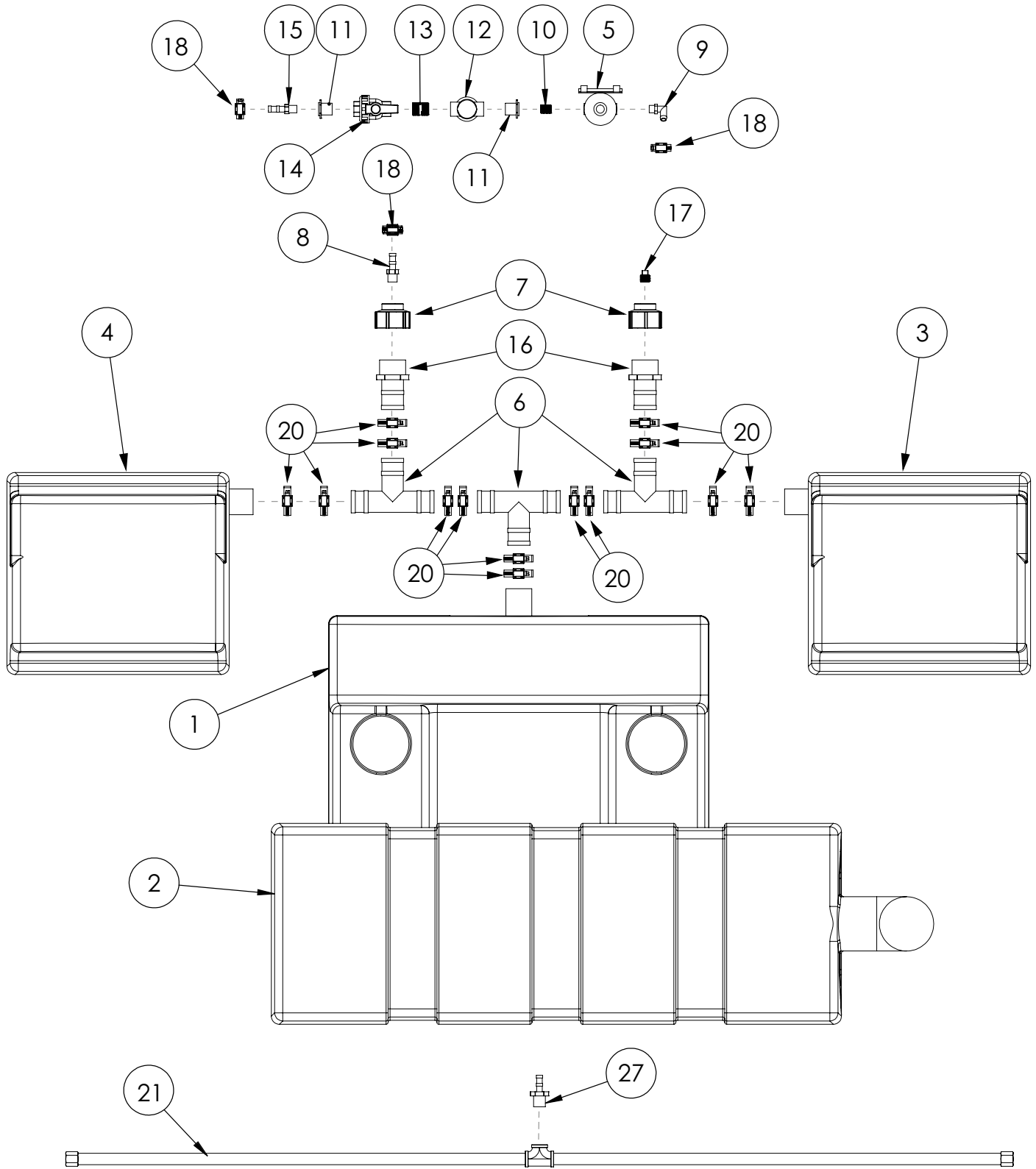
## HYDRAULIC & FUEL TANK CABINET ASSEMBLY (CONT.)

470 - Series Parts Catalog

ITEM #	PARTS #	DESCRIPTION	QTY.
1	512787	Hex Weld Nut	2
2	512885	Surface Mount Hinge	4
3	512772	Cabinet Door	2
4	512457	Cabinet Grab Handle Assembly	1
5	512800	Fuel Tank Assembly	1
6	512850	Hydraulic Tank Assembly	1
7	512766	Tank Cabinet Top Panel	1
8	512788	3/8" - 16 x 3/4" Stainless Button Head Cap Screw	22
9	512783	3/8" Stainless Washer	6
10	512779	1/4" - 20 x 1/2" Stainless Button Head Cap Screw	8
11	512796	#8 Stainless Washer	4
12	512792	#8 - 32 x 1/2" Stainless Socket Head Cap Screw	16
13	512785	1/4" Stainless Washer	16
14	512775	Black Lever Latch	2
19	512768	Cover Support Bracket	4
20	512783	3/8" Stainless Washer	16
21	441659	3/8" - 16 x 1" Lock Bolt	4
22	83527	3/8" - 16 x 1 1/4" Lock Bolt	2
23	83501	Lock Nut	2
24	512914	Cabinet Poly Tank	1
21	204802	Rear Shelf Support	1

# WATER SYSTEM

470 - Series Parts Catalog



 **WARNING:** Cancer and Reproductive Harm  
www.P65Warnings.ca.gov

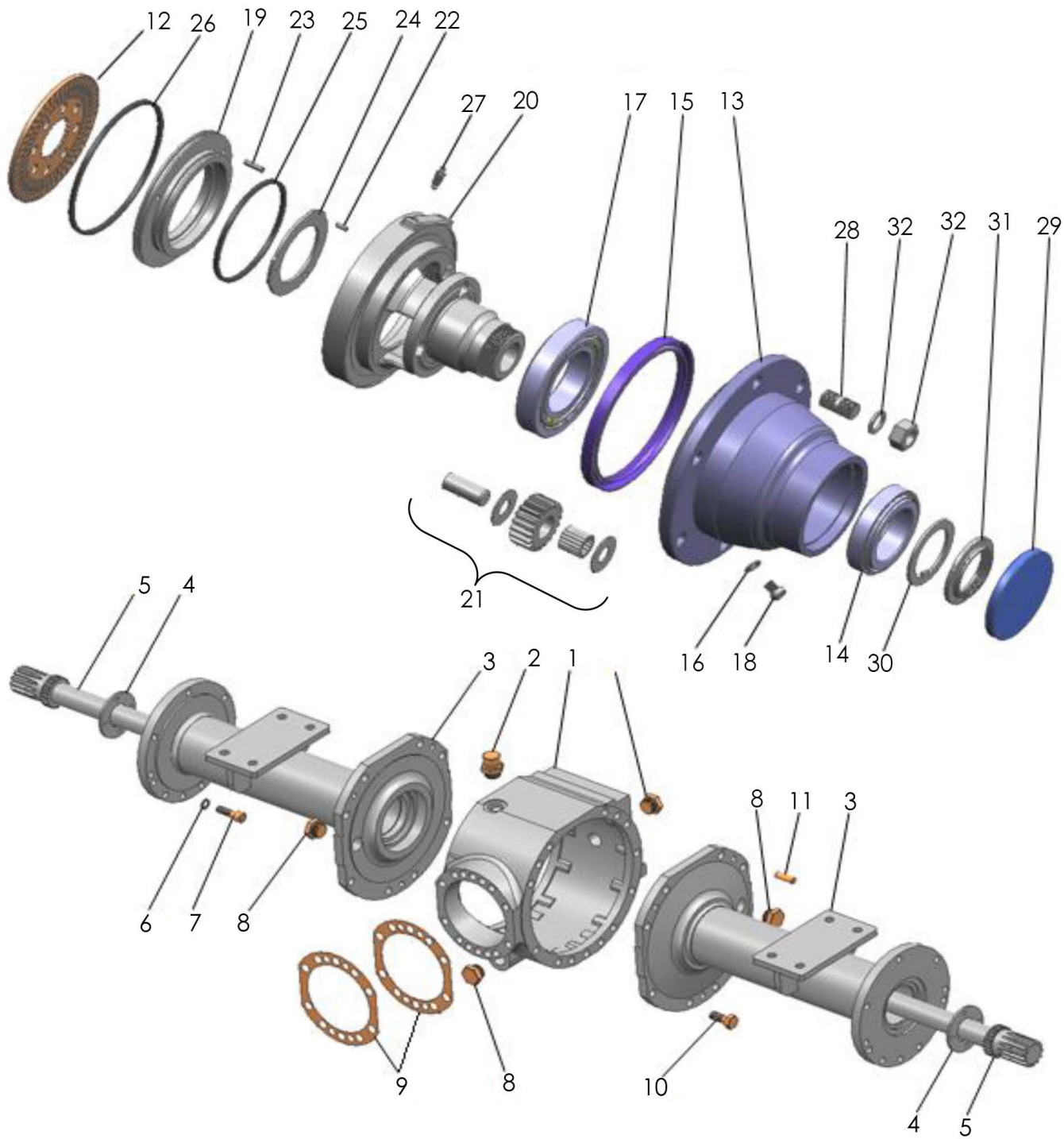
## WATER SYSTEM (CONT.)

470 - Series Parts Catalog

ITEM #	PARTS #	DESCRIPTION	QTY.
1	512916	Belly Tank	1
2	512914	Cabinet Tank	1
3	512920	LH Side Tank	1
4	512918	RH Side Tank	1
5	512844	Spray Pump	1
6	512923	2" Hose Barb Tee	3
7	512933	2" FPT - 1/2" FPT Reducer	2
8	389810	1/2" MPT - 1/2" Hose Barb	1
9	389818	3/8" NPT - 1/2" Hose Barb Elbow	1
10	389811	3/8" NPT Nipple	1
11	389813	3/4" - 3/8" Reducer	2
12	389802	Inline Strainer	1
13	389812	3/4" NPT Nipple	1
14	389809	3/4" Ball Valve	1
15	389483	3/8" MPT - 1/2" Hose Barb	1
16	512925	2" Hose Barb - 2" MPT	2
17	26195	1/2" NPT Plug	1
18	V01445200	#8 Hose Clamp	3
N/S	512231	3" Hose Clamp	2
20	389987	2" Hose Clamp	14
21	390441	Spray Bar (no Nozzels)	1
N/S	390442	Spray Bar with Nozzles	
N/S	67884	3" Hose	1
N/S	81794	2" Hose	3
N/S	512937	1" Vent Hose	12ft
N/S	83782	1/2" Hose	16ft
N/S	390443	Spray Tips Nozzle Assembly	8
27	389789	3/4" MPT - 1/2" Hose Barb	1
N/S	389803	Spray Nozzle Assembly Clamp and Body Only	8
N/S	389804	Nozzle Screen	8
N/S	389801	Spray Tip	8
N/S	389800	Spray Cap	8
N/S	307143	Water Sender	1
N/S* = Not Shown			

# FRONT AXLE ASSEMBLY

470 - Series Parts Catalog



 **WARNING:** Cancer and Reproductive Harm  
[www.P65Warnings.ca.gov](http://www.P65Warnings.ca.gov)

## FRONT AXLE ASSEMBLY (CONT.)

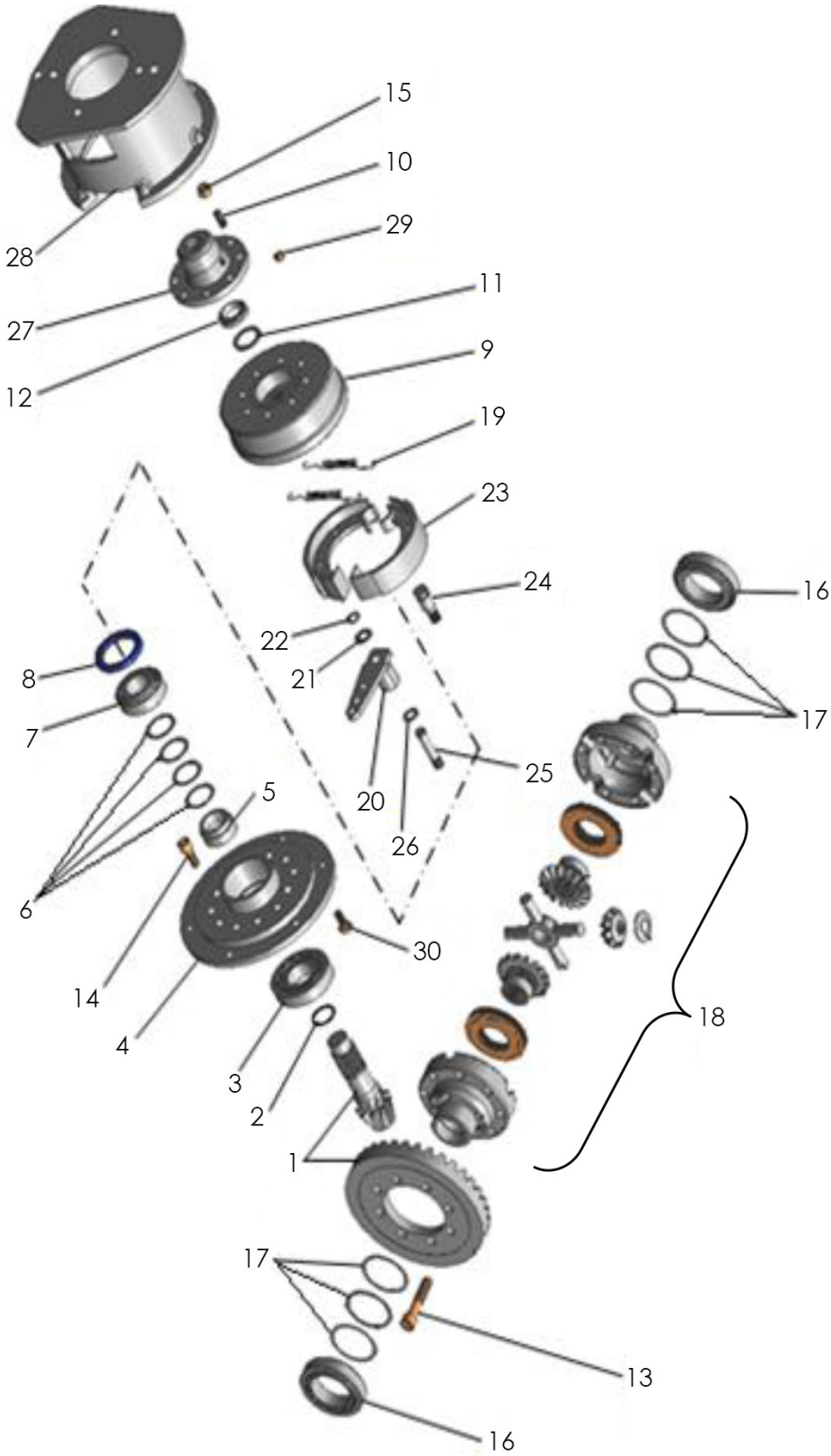
470 - Series Parts Catalog

ITEM #	PARTS #	DESCRIPTION	QTY.
1	514450	Central Housing	1
2	514451	Tappo Sfiato M22x1.5	1
3	514452	Side Housing 326.5	1
4	514453	Shim	2
5	514454	Drive Shaft L.740,5	1
6	514455	Shnorr Washer D.10	18
7	514456	Socket Head Screw M10x30	18
8	514457	Cap M22x1,5 DIN 909	4
9	514458	Paper Gasket0,2	2
10	514459	Socket Head Screw M12x35	16
11	514460	Cylindric Pin Ø10x30	6
12	514430	Brake Disc	1
13	514431	Wheel Hub	1
14	514432	Bearing 32012X	1
15	514433	Oil Seal BASL 145x170x12	1
16	514434	Washer 10x16x1,5	1
17	514435	Bearing 30214	1
18	514436	Cap M10x1 DIN908	1
19	514437	Brake Piston	1
20	514438	Spindle	1
21	514439	Planetary Gears	3
22	514440	Parallel Pin 5x12	1
23	514441	Parallel Pin 6x20	3
24	514442	Brake Ring	1
25	514443	Square Ring 237-993-9780	1
26	514444	Square Ring 238-956-9707	1
27	514445	Brake Bleeder M10x1	1
28	514446	Stud Bolt M18x1,5 10.9	6
29	514447	Cap	1
30	514448	Lock Washer	1
31	514449	Locknut M55x2	1
32	514506	Nut M18x1.5 MF	12



**WARNING:** Cancer and Reproductive Harm  
www.P65Warnings.ca.gov

# FRONT AXLE ASSEMBLY



## FRONT AXLE ASSEMBLY (CONT.)

470 - Series Parts Catalog

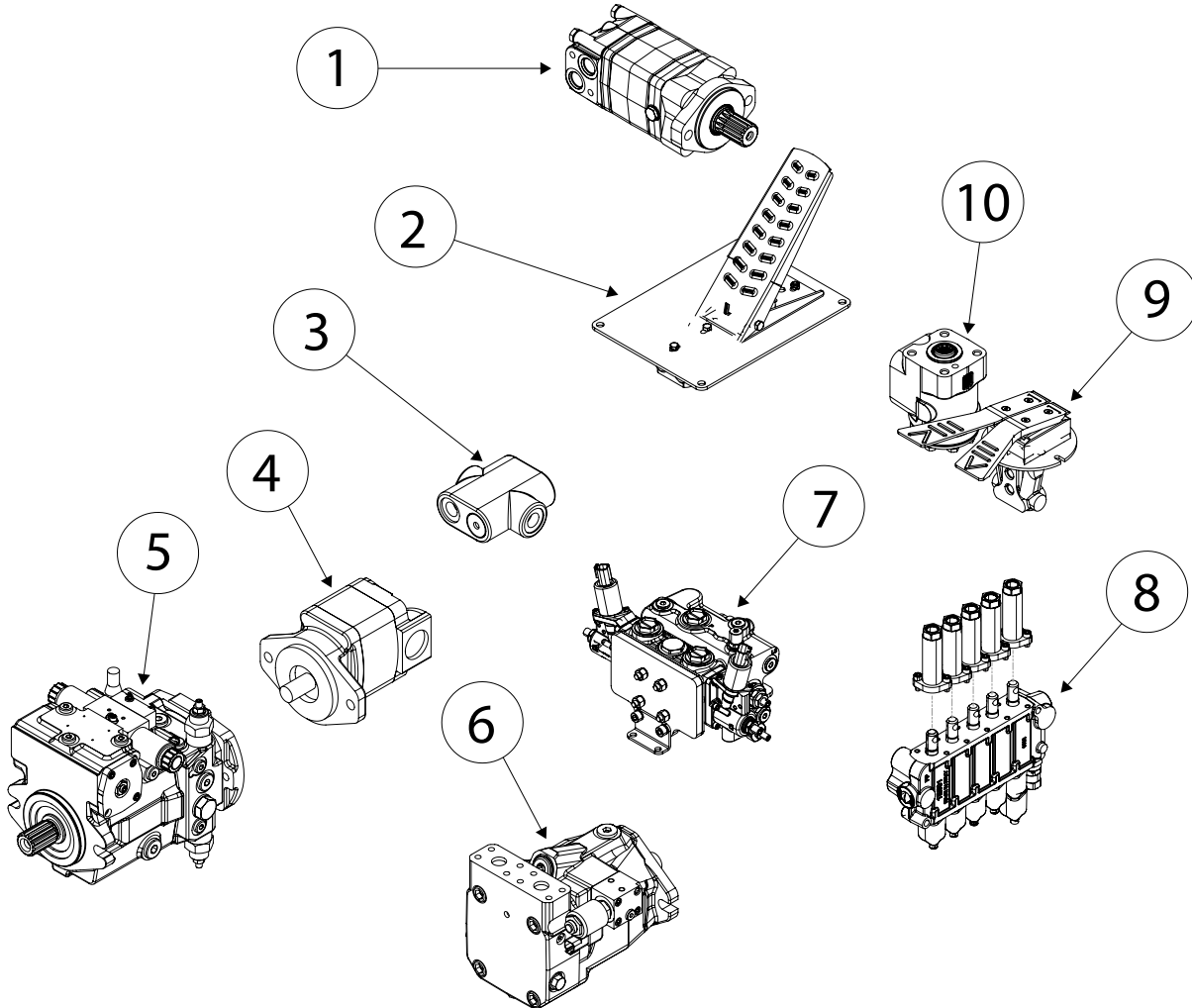
ITEM #	PARTS #	DESCRIPTION	QTY.
N/S	513904	Front Axle	1
1	514461	Bevel gear R=4.11	1
2	514463	O-ring	1
3	514465	Taper rolling bearing	1
4	514467	Pinion Housing	11
5	514469	Spacer	/
6	514471	Shim PS 35x45x0,1	/
6.1	514472	Shim PS 35x45x0,3	/
6.2	514473	Shim PS 35x45x0,5	/
6.3	514474	Shim PS 35x45x0,25	1
7	514475	Taper rolling bearing	1
8	514476	Oil seal BASL 50x72x8	1
9	514477	Flange with brake drum	8
10	514478	Stud bolt M10x25	1
11	514479	Shim AS 1528	1
12	514488	Ring Nut GP M30x1,5	8
13	514480	Socket Screw M14x70	1
14	514481	Socket Head Cap Screw M12x45 12.9	10
15	514482	Dado autoblok M10	8
16	514483	Front Wheel Bearing	2
17	514484	Spess. ø61x70x0,1	/
17.1	514485	Spess. ø61x70x0,3	/
17.2	514486	Spess. ø61x70x0,5	/
17.3	514487	Spess. ø61x70x0,35	/
18	514507	Differential Assembly LMS	1
19	514509	Spring	1
20	514511	Brake Lever	1
21	514513	Friction Washer	1
22	514515	Snap Ring E14 230-15H	6
23	514517	Brake Shoe Pair	1
24	514519	Brake Fulcrum	1
25	514521	Break Lever Pin	1
26	514523	Friction Washer	12
27	514525	Hydraulic Mot. Connection	12
28	514527	Hydraulic Mot. Mount	12
29	514528	Greaser M10x1	12
30	514529	Screw M10x25 8.8	12

# HYDRAULIC SYSTEM DETAILS

# HYDRAULIC SYSTEM COMPONENTS

470 - Series Parts Catalog

## HYDRAULIC SYSTEM DETAILS



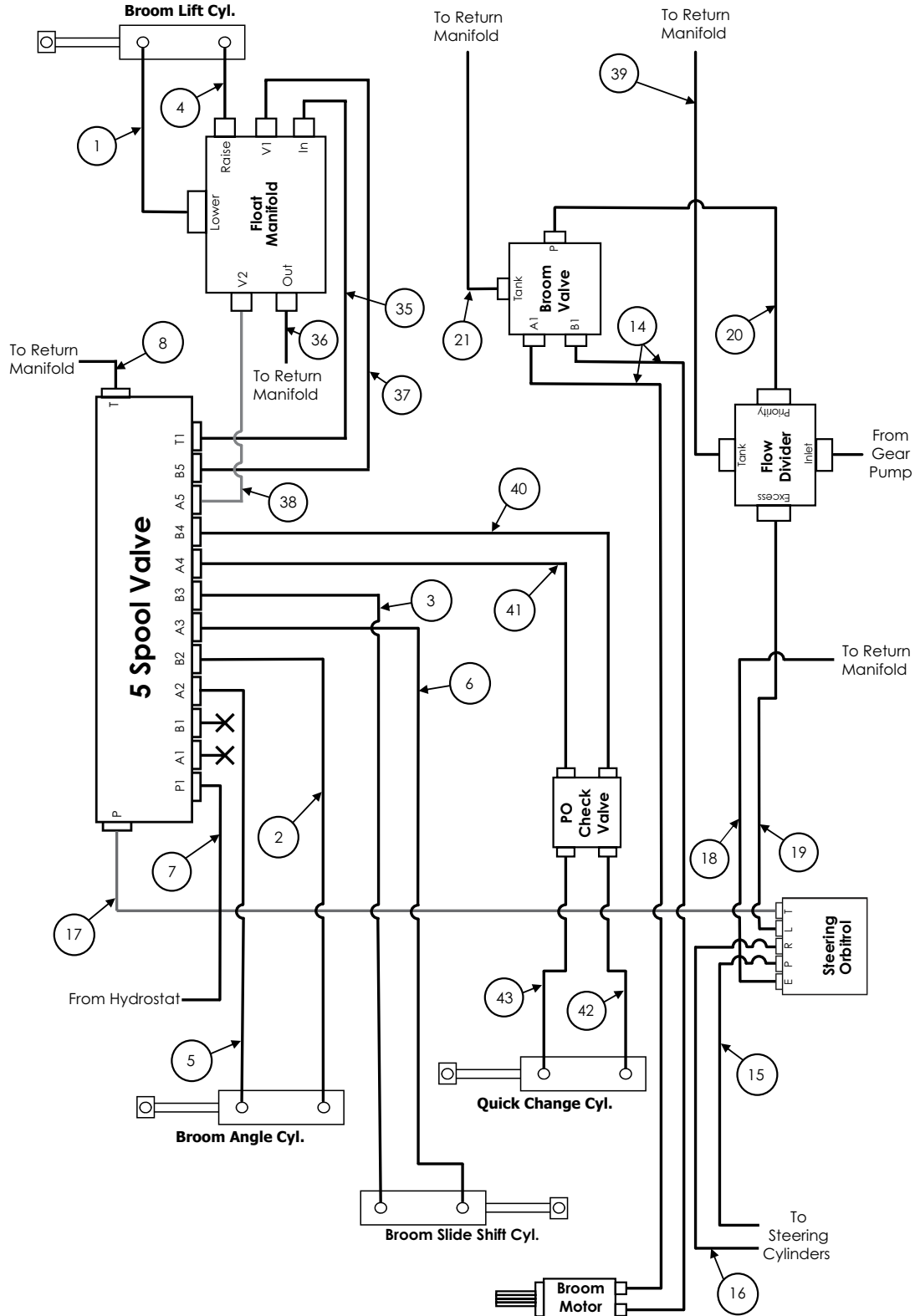
ITEM #	PARTS #	DESCRIPTION	QTY.
1	514215	Broom Core Hydraulic Motor	1
2	513270	Brake Valve	1
3	29553	Flow Divider	1
4	513474	Gear Pump	1
5	513253	Main Pump	1
6	513255	Drive Motor	1
7	513233	Broom Valve	1
8	513236	5 Spool Valve	1
9	389775-1	Foot Pedal and Bracket Assembly	1
10	305944W	Steering Orbital	1
N/S	513273	Pump O-Ring Kit	1
N/S* = Not Shown			

 **WARNING:** Cancer and Reproductive Harm  
www.P65Warnings.ca.gov

# HYDRAULIC SYSTEM SCHEMATICS (FRONT SECTION)

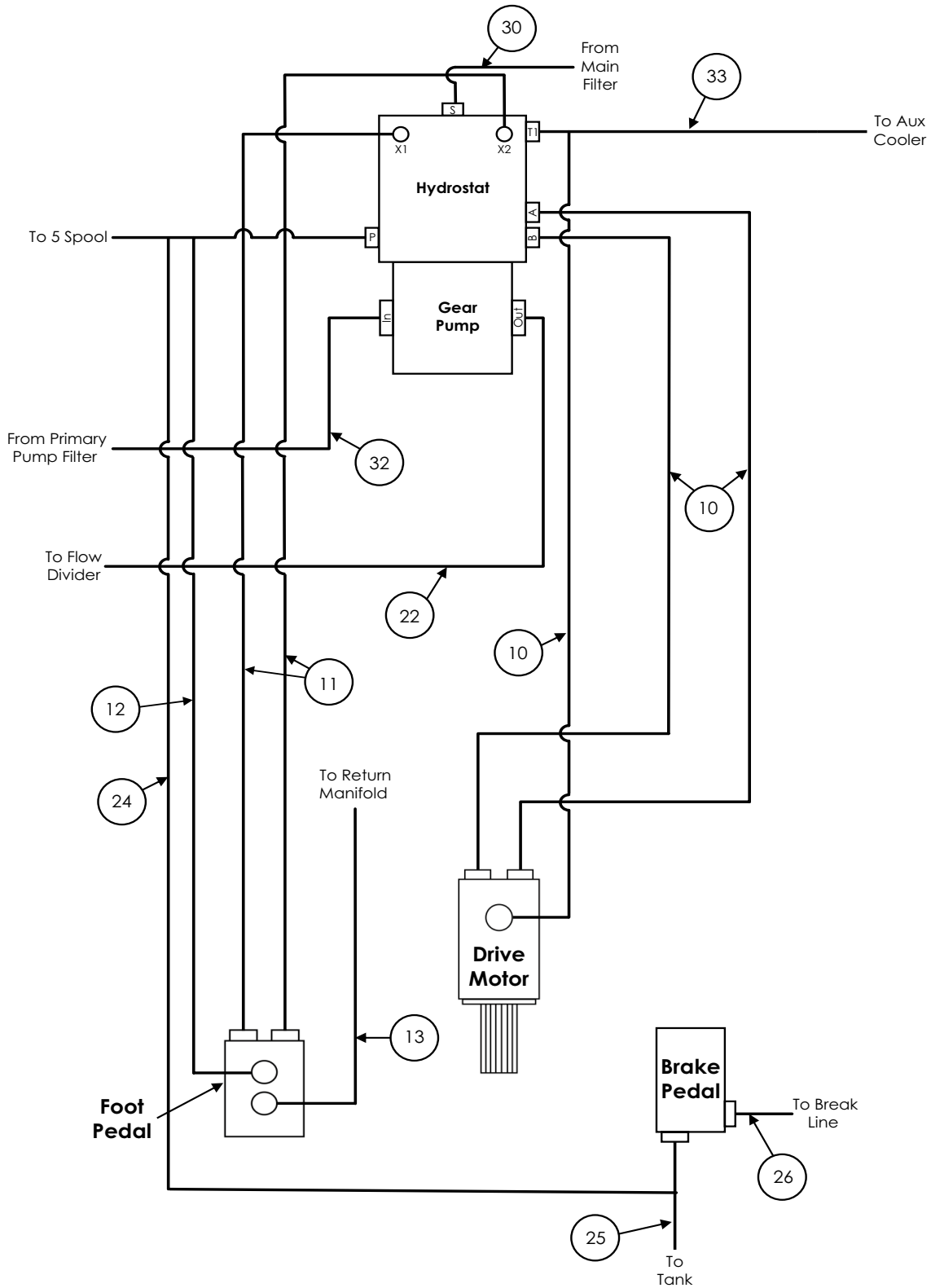
470 - Series Parts Catalog

## HYDRAULIC SYSTEM DETAILS



 **WARNING:** Cancer and Reproductive Harm  
www.P65Warnings.ca.gov

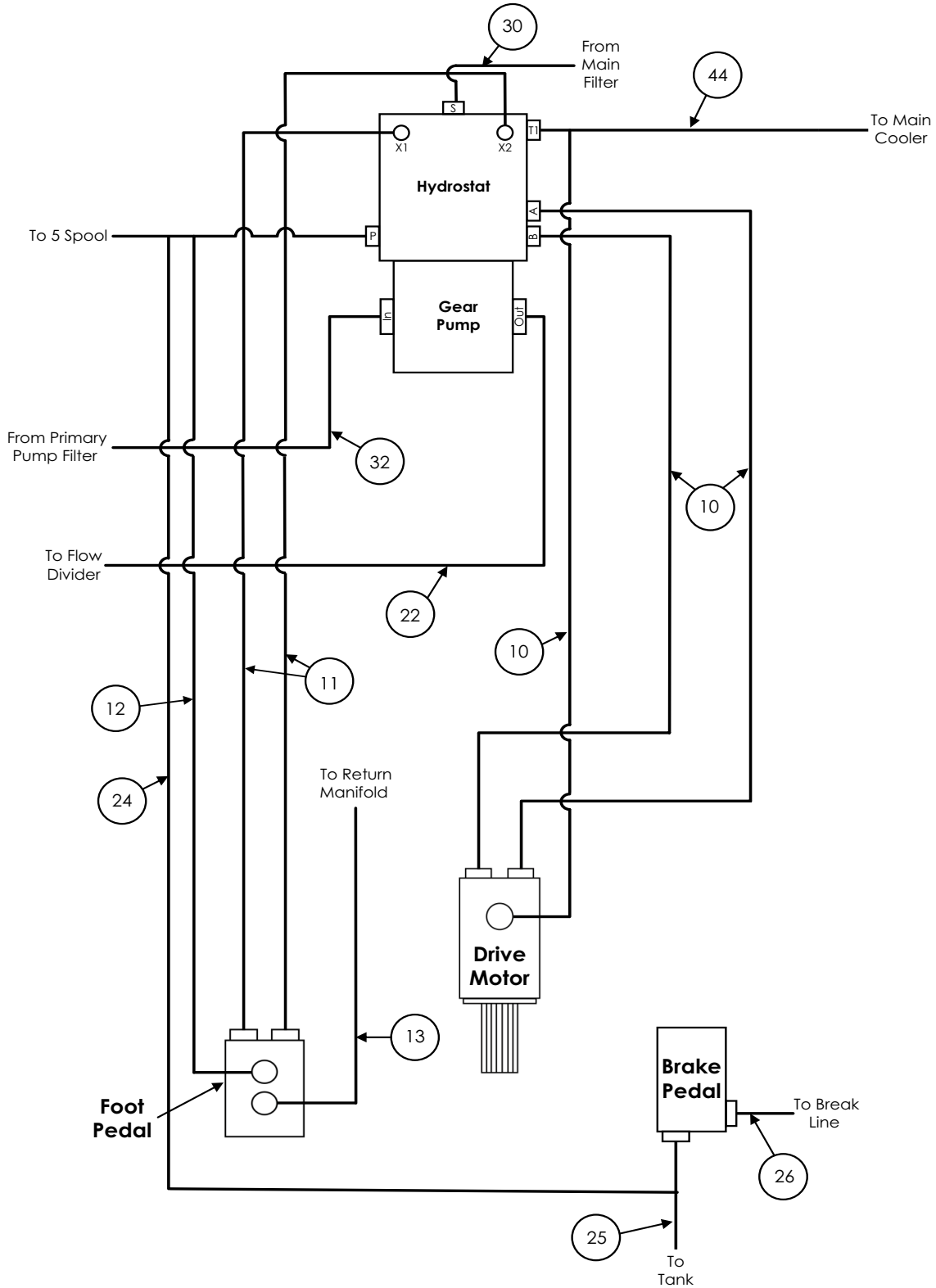
## HYDRAULIC SYSTEM DETAILS



# HYDRAULIC SYSTEM SCHEMATICS CUMMINS (MID SECTION A)

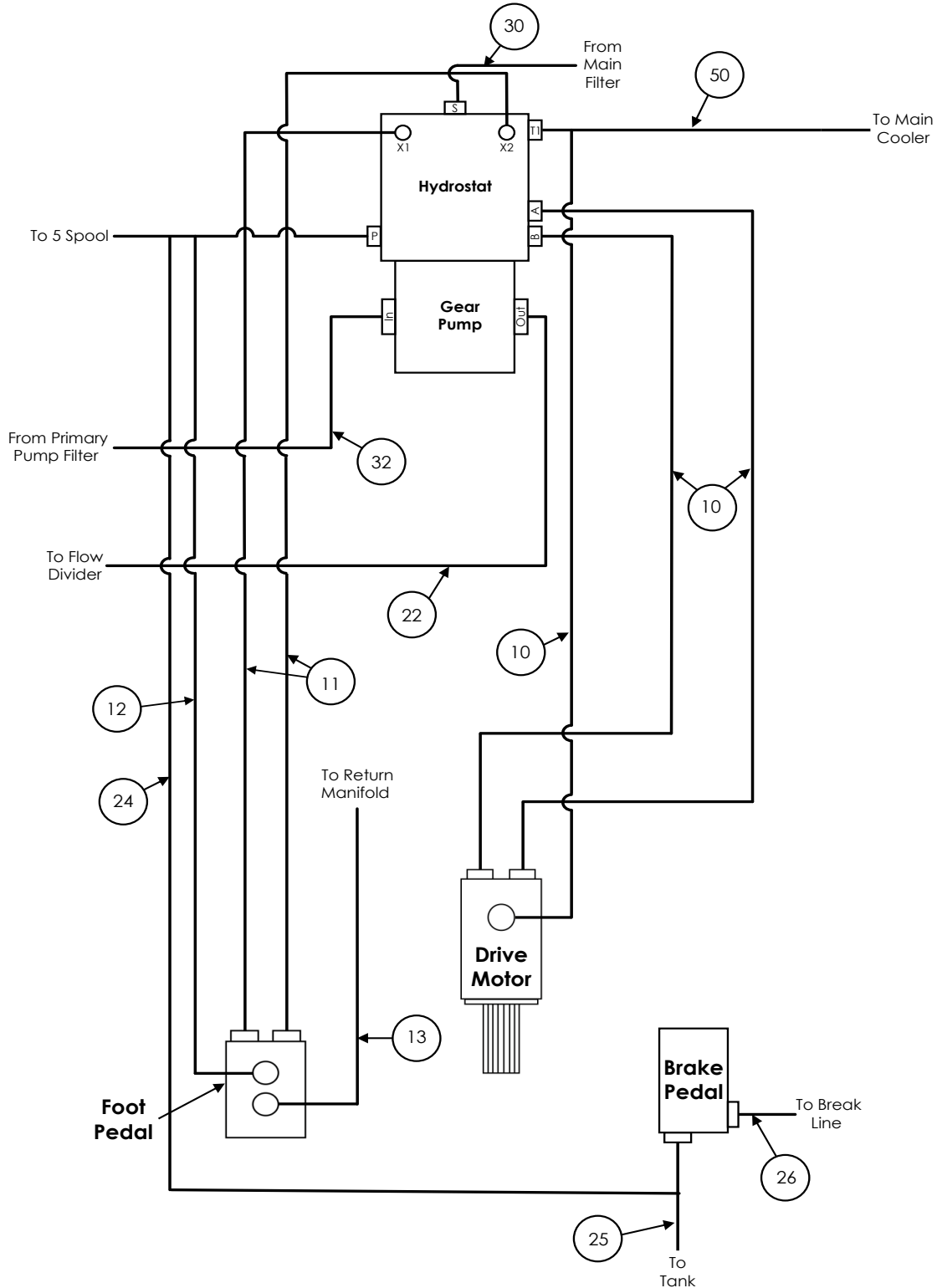
470 - Series Parts Catalog

## HYDRAULIC SYSTEM DETAILS



 **WARNING:** Cancer and Reproductive Harm  
www.P65Warnings.ca.gov

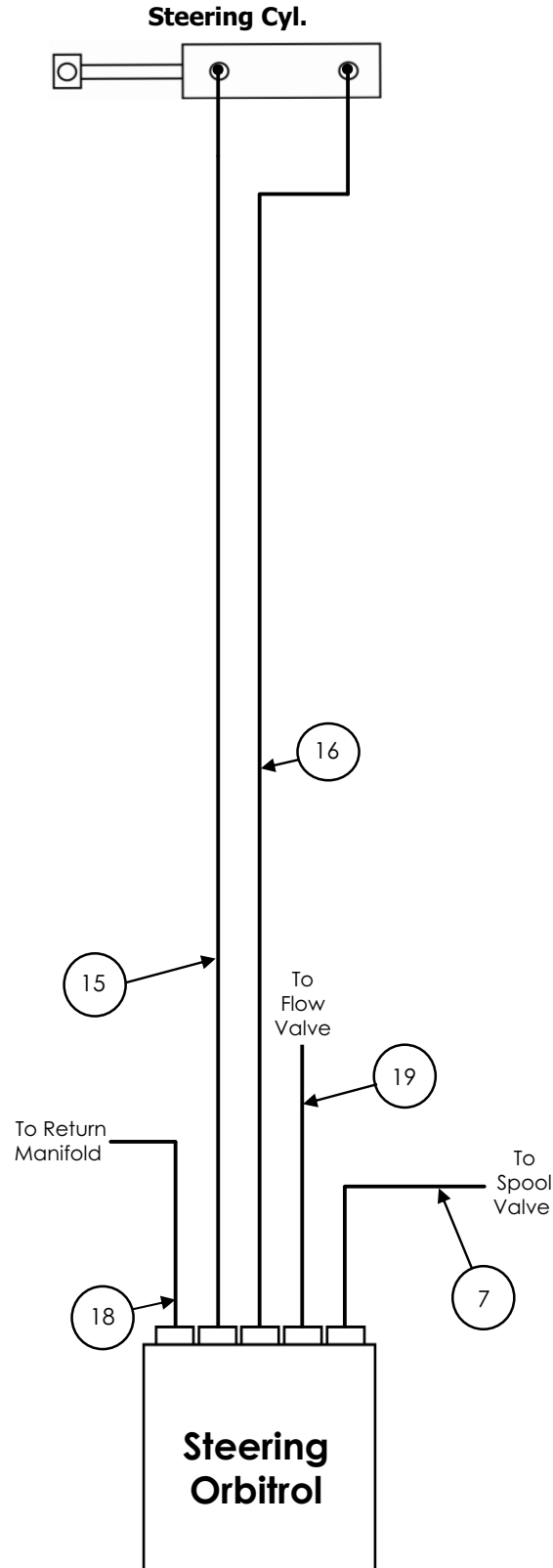
## HYDRAULIC SYSTEM DETAILS



# HYDRAULIC SYSTEM SCHEMATICS (MID SECTION B)

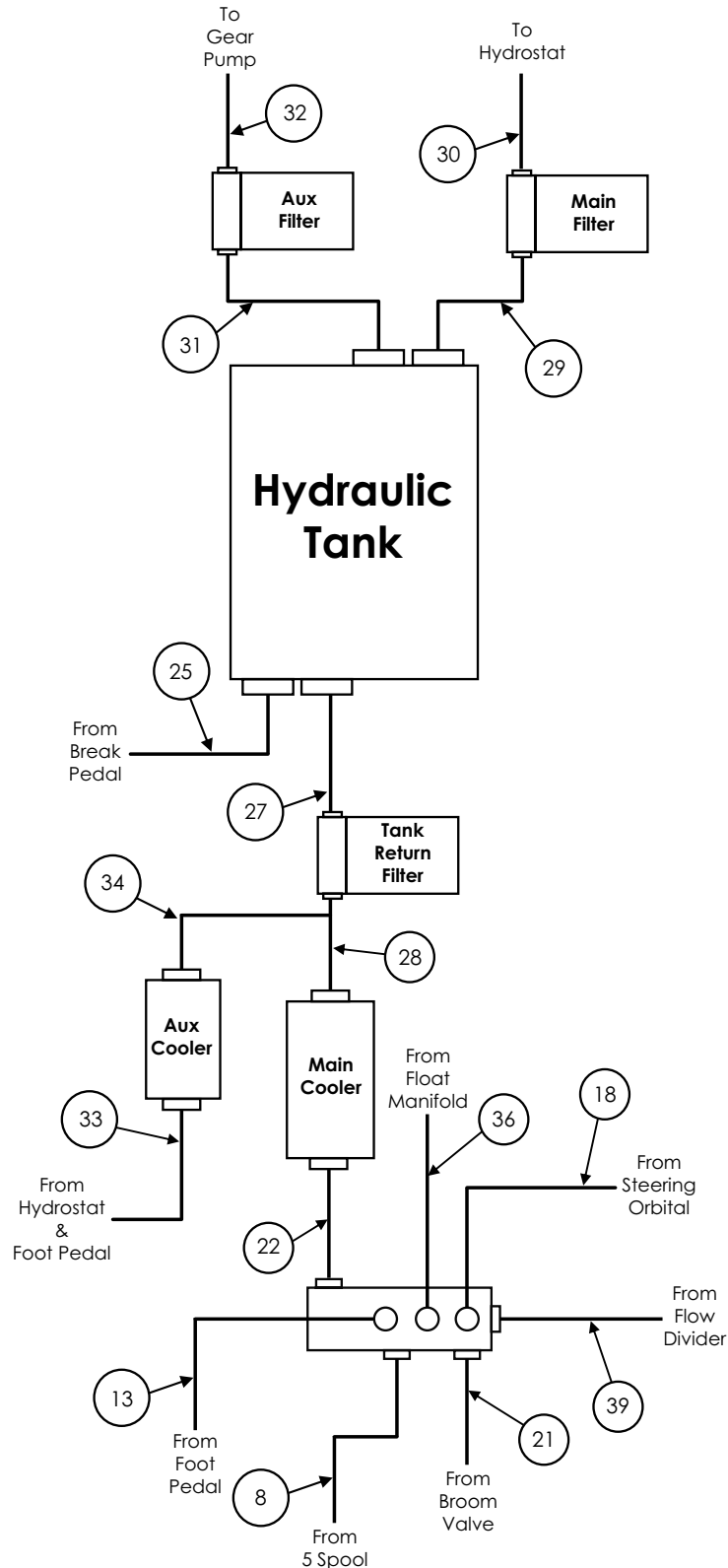
470 - Series Parts Catalog

## HYDRAULIC SYSTEM DETAILS



 **WARNING:** Cancer and Reproductive Harm  
[www.P65Warnings.ca.gov](http://www.P65Warnings.ca.gov)

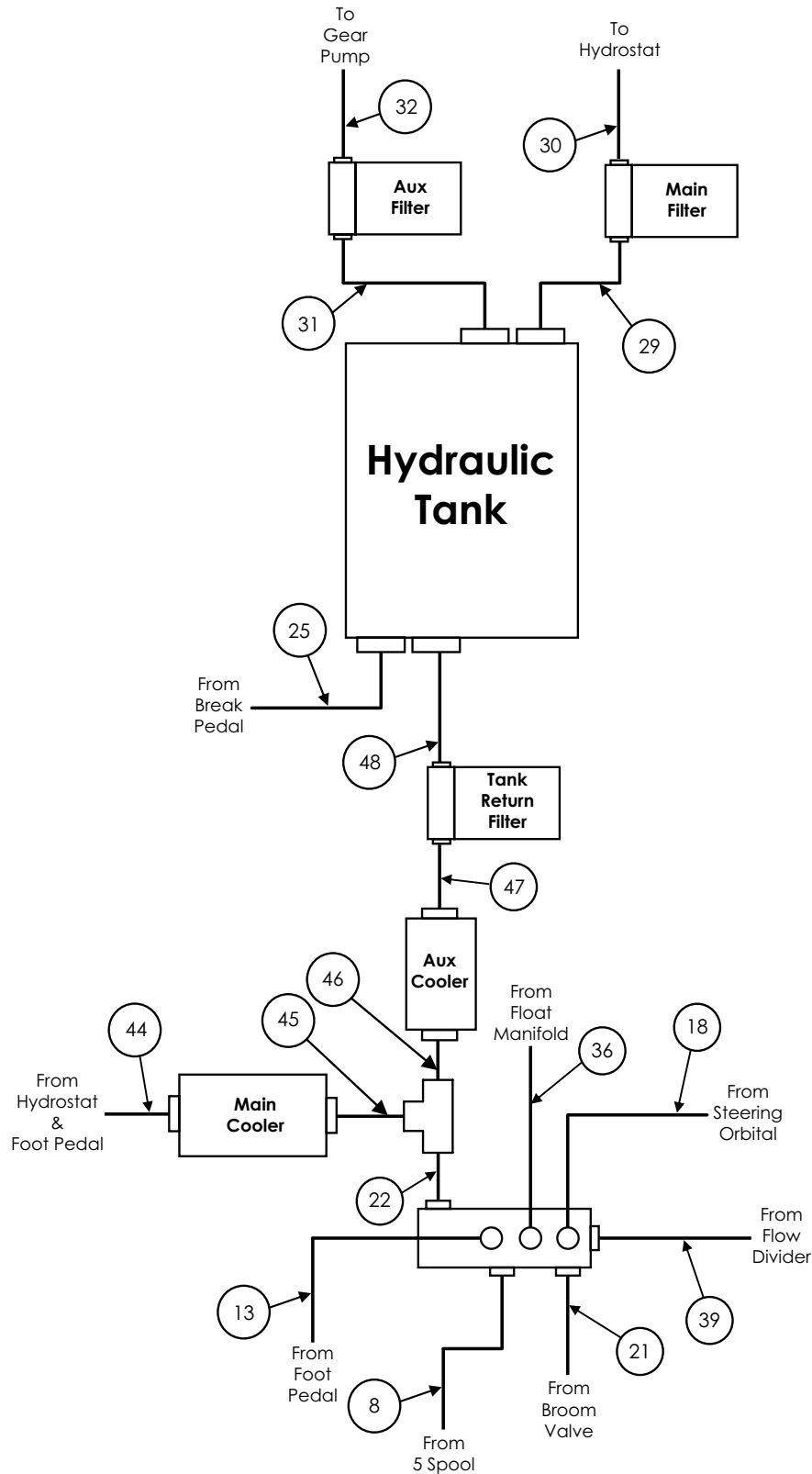
## HYDRAULIC SYSTEM DETAILS



# HYDRAULIC SYSTEM SCHEMATICS CUMMINS (BACK SECTION)

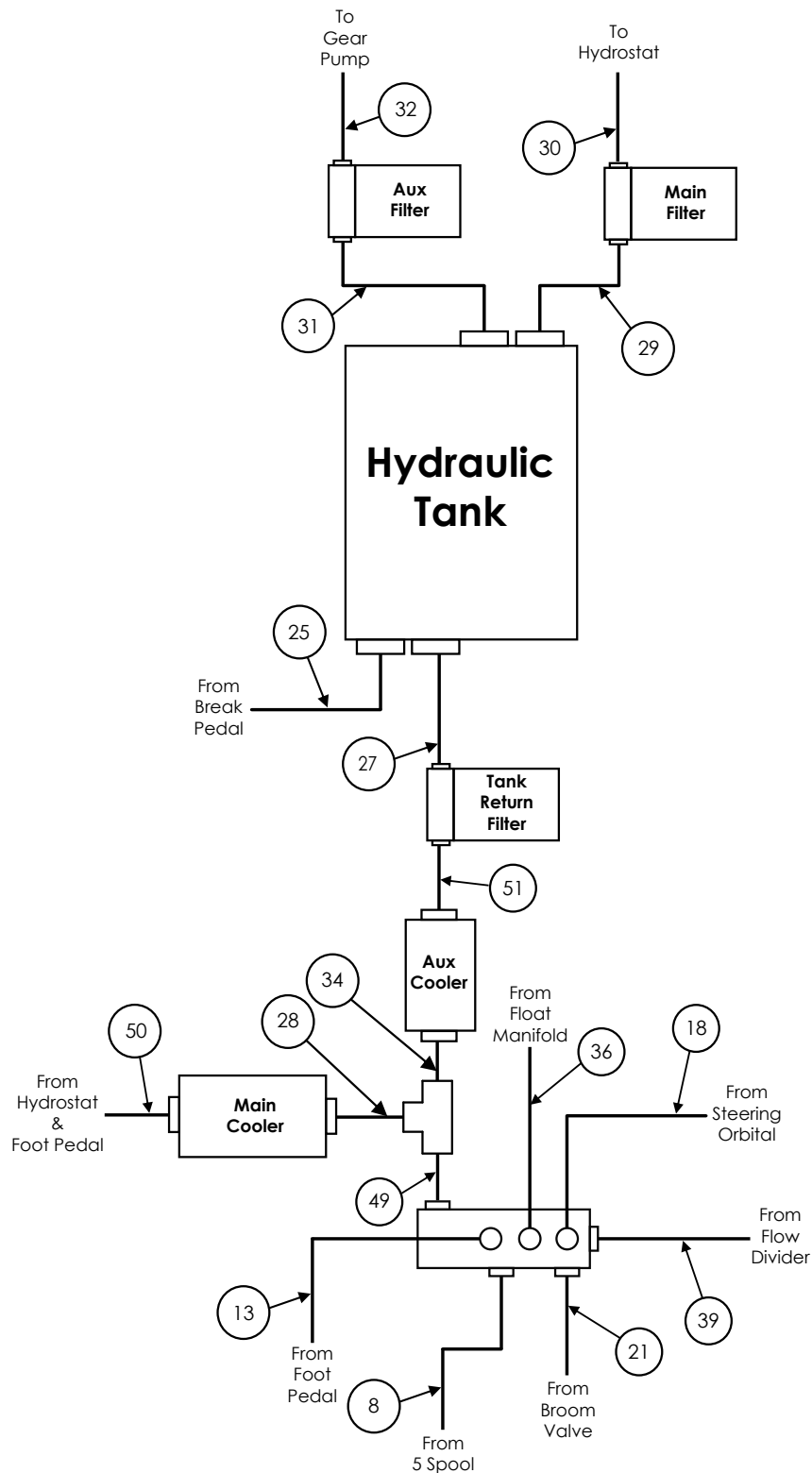
470 - Series Parts Catalog

## HYDRAULIC SYSTEM DETAILS



 **WARNING:** Cancer and Reproductive Harm  
www.P65Warnings.ca.gov

## HYDRAULIC SYSTEM DETAILS



# HYDRAULIC SYSTEM COMPONENTS (SHEET)

470 - Series Parts Catalog

## HYDRAULIC SYSTEM DETAILS

ITEM #	PARTS #	DESCRIPTION	QTY.
1	513364	Lift Cylinder Hose Assembly Rod Side	1
2	513366	Angle Cylinder Hose Assembly Piston Side	1
3	513370	Side Shift Hose Assembly Piston Side	1
4	513362	Lift Cylinder Hose Assembly Piston Side	1
5	513368	Angle Cylinder Hose Assembly Rod Side	1
6	513372	Side Shift Hose Assembly Rod Side	1
7	513374	5 Spool Valve Supply Hose Assembly	1
8	513376	5 Spool Valve Tank Return Hose Assembly	1
9	513360	Drive Motor Hose Assembly	2
10	513378	Drive Motor Tank Return Hose Assembly	1
11	513380	Forward/Reverse Pedal Hose Assembly	2
12	513384	Foot Valve Charge Pressure Hose Assembly	1
13	513386	Foot Valve Tank Return Hose Assembly	1
14	513388	Broom Motor Hose Assembly	2
15	513390	Steering Cylinder Hose Assembly Rod Side	1
16	513392	Steering Cylinder Hose Assembly Piston Side	1
18	513396	Orbitrol Tank Return Hose Assembly	1
19	513398	Orbitrol Hose Assembly	1
20	513402	Broom Valve Hose Assembly	1
21	513404	Broom Valve Tank Return Assembly	1
22	513406	Flow Divider Inlet Hose Assembly	1
23	513408	Main Oil Cooler Hose Assembly	1
24	513410	Brake Valve Hose Assembly	1
25	513412	Brake Valve Tank Return Hose Assembly	1
26	513414	Break Line Hose Assembly	1
27	513416	Filter Tank Return Hose Assembly	1
28	513418	Main Oil Cooler to Filter Hose Assembly	1
29	513420	Tank to Hydrostat Suction Filter Hose Assembly	1
30	513422	Hydrostat Pump Hose Assembly	1
31	513424	Tank to Gear Pump Suction Filter Hose Assembly	1
32	513426	Gear Pump Hose Assembly	1
33	513428	Hydrostat Tank Return Hose Assembly	1
34	512647	Auxiliary Filter Tank Return Hose Assembly	1
35	513961	Float In Hose Assembly	1
36	513962	Float Out Hose Assembly	1
37	513963	Float V1 Hose Assembly	1

## HYDRAULIC SYSTEM COMPONENTS (SHEET CONT.)

470 - Series Parts Catalog

# HYDRAULIC SYSTEM DETAILS

ITEM #	PARTS #	DESCRIPTION	QTY.
38	513964	Float V2 Hose Assembly	1
39	514074	Flow Divider Return Hose Assembly	1
40	513950	Quick Change Check Valve Hose Assembly Piston Side	1
41	513951	Quick Change Check Valve Hose Assembly Rod Side	1
42	513952	Quick Change Cylinder Hose Assembly Piston Side	1
43	513953	Quick Change Cylinder Hose Assembly Rod Side	1
44	4FM001	Cummins Case Drain To Return Hose	1
45	4FM004	Cummins Primary Cooler To Return Hose	1
46	4FM005	Cummins Return Tee To Cooler Hose	1
47	4FM002	Cummins Aux Cooler To Return Filter Hose	1
48	4FM003	Cummins Return Filter To Tank Hose	1
49	305740	FMR Return Manifold to Tee	1
50	305741	FMR Pump to Bottom Rad	1
51	305742	FMR AUX Cooler to Filter	1



**WARNING:** Cancer  
and Reproductive Harm  
[www.P65Warnings.ca.gov](http://www.P65Warnings.ca.gov)



---

# WIRING SYSTEM DETAILS

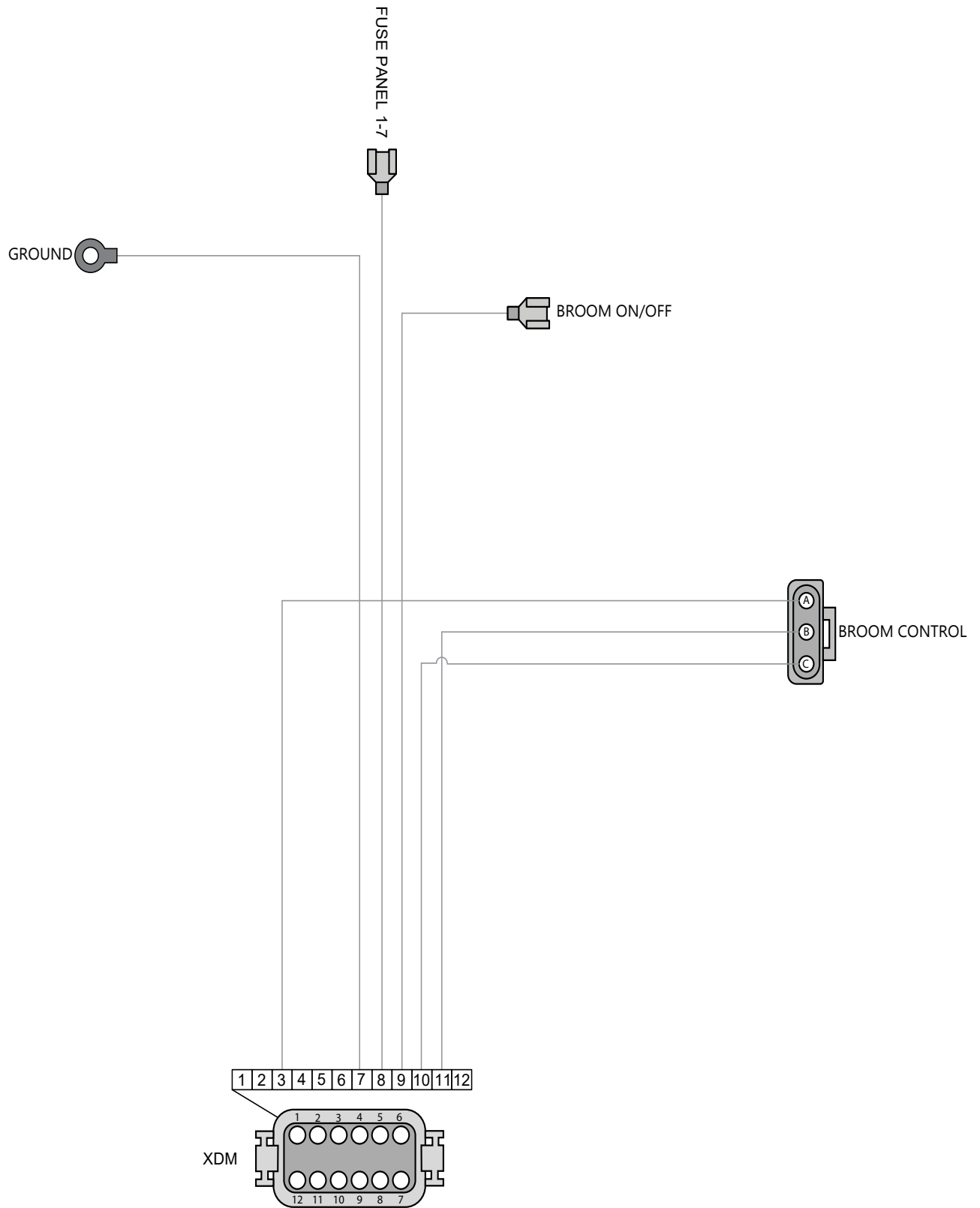
---



# WIRING SYSTEM DETAILS (BROOM SPEED CONTROL HARNESS)

470 - Series Parts Catalog

WIRING SYSTEM DETAILS

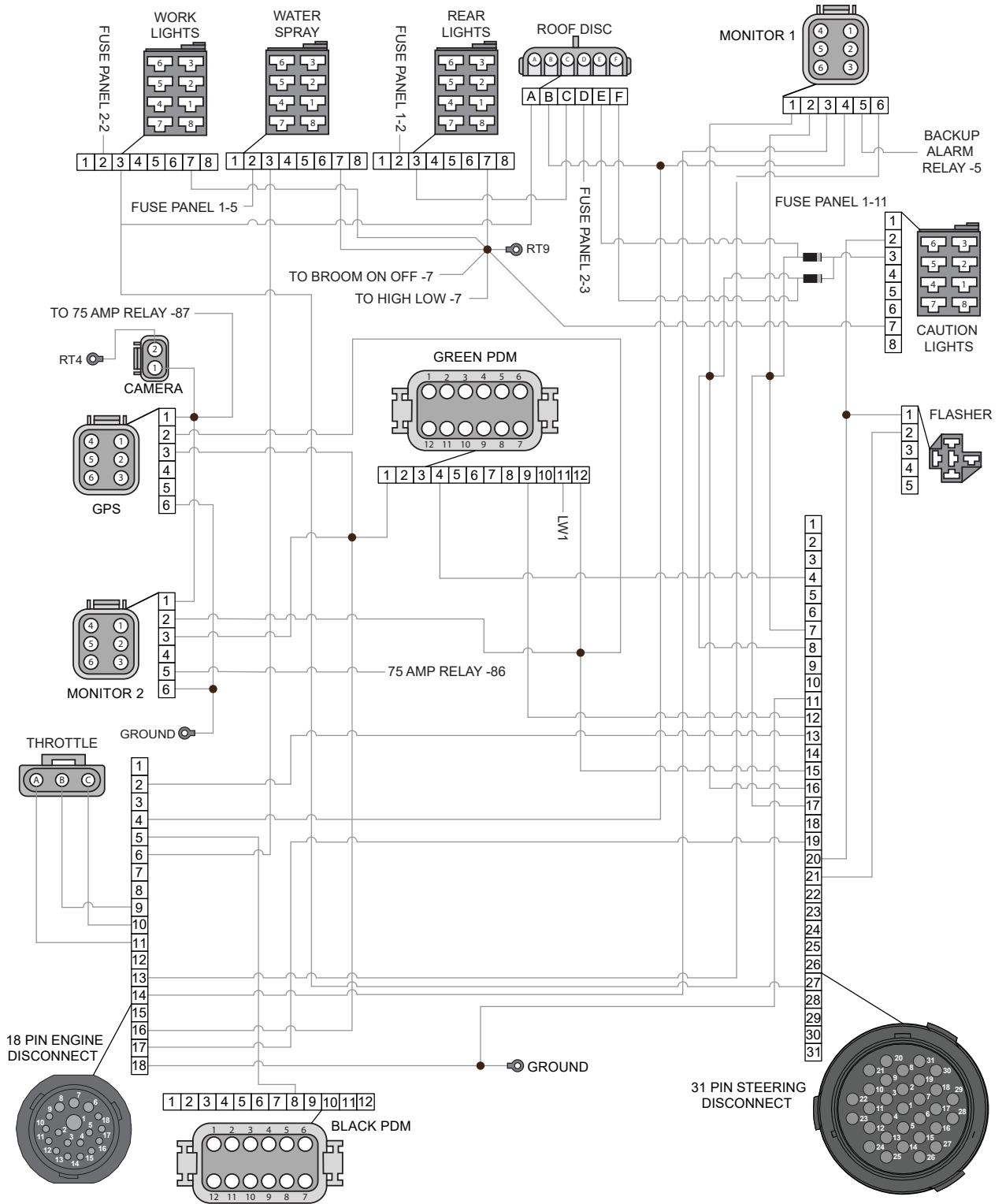


 **WARNING:** Cancer and Reproductive Harm  
[www.P65Warnings.ca.gov](http://www.P65Warnings.ca.gov)

# WIRING SYSTEM DETAILS (CONSOLE FRAME HARNESS -1)

470 - Series Parts Catalog

WIRING SYSTEM DETAILS

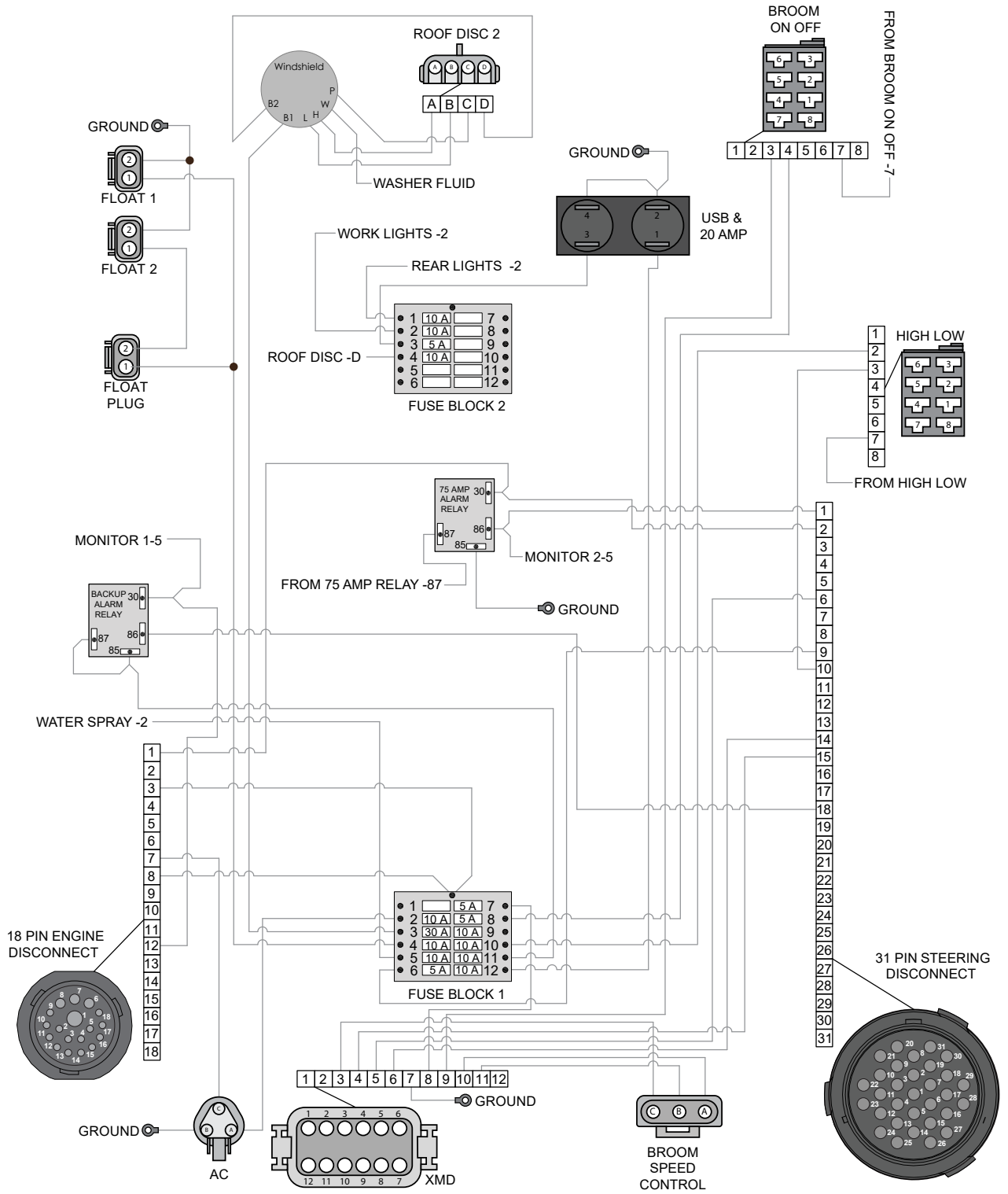


**WARNING:** Cancer and Reproductive Harm  
www.P65Warnings.ca.gov

# WIRING SYSTEM DETAILS (CONSOLE FRAME HARNESS -2)

470 - Series Parts Catalog

WIRING SYSTEM DETAILS

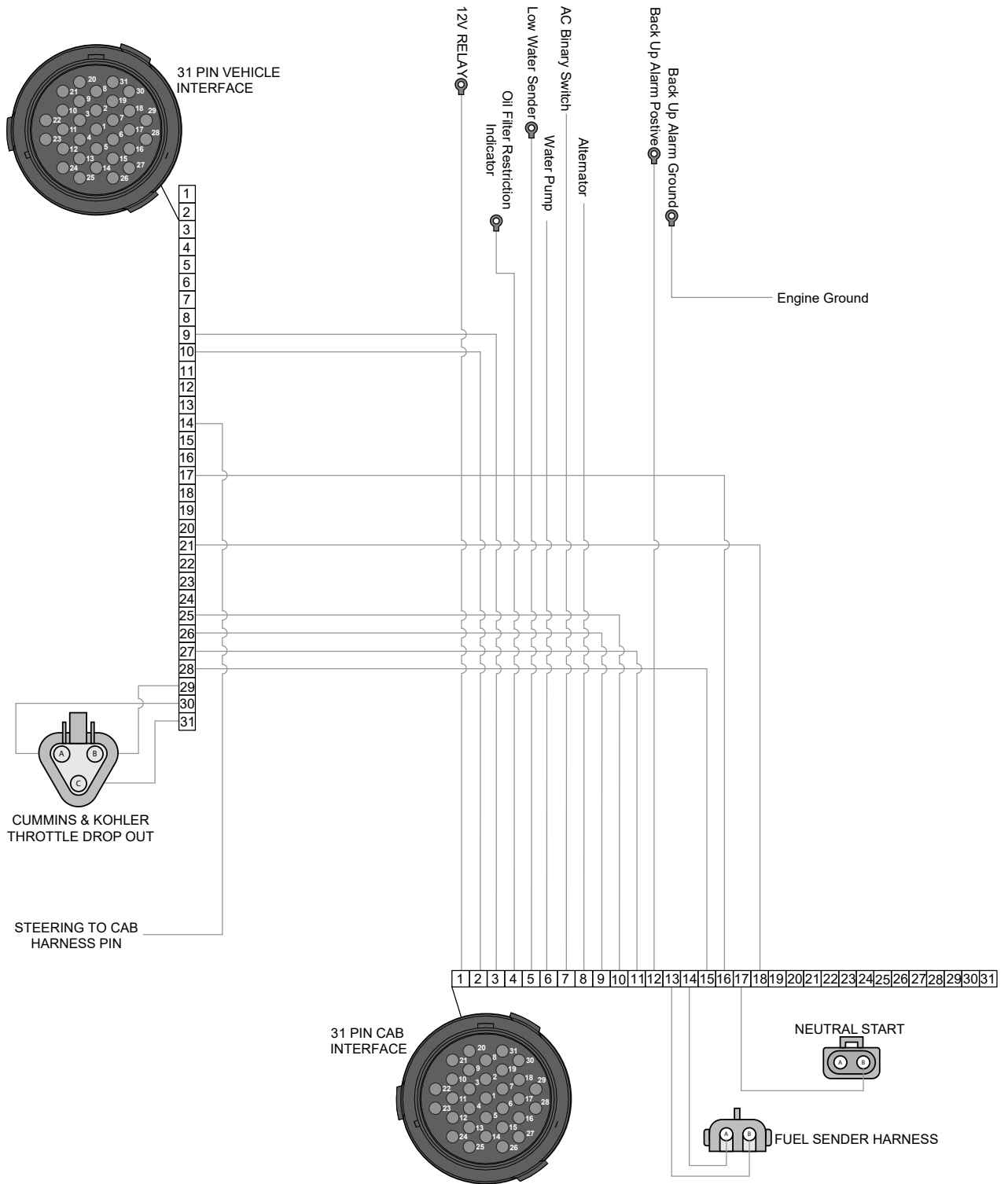


**WARNING:** Cancer and Reproductive Harm  
www.P65Warnings.ca.gov

# WIRING SYSTEM DETAILS (ENGINE TO CAB HARNESS)

470 - Series Parts Catalog

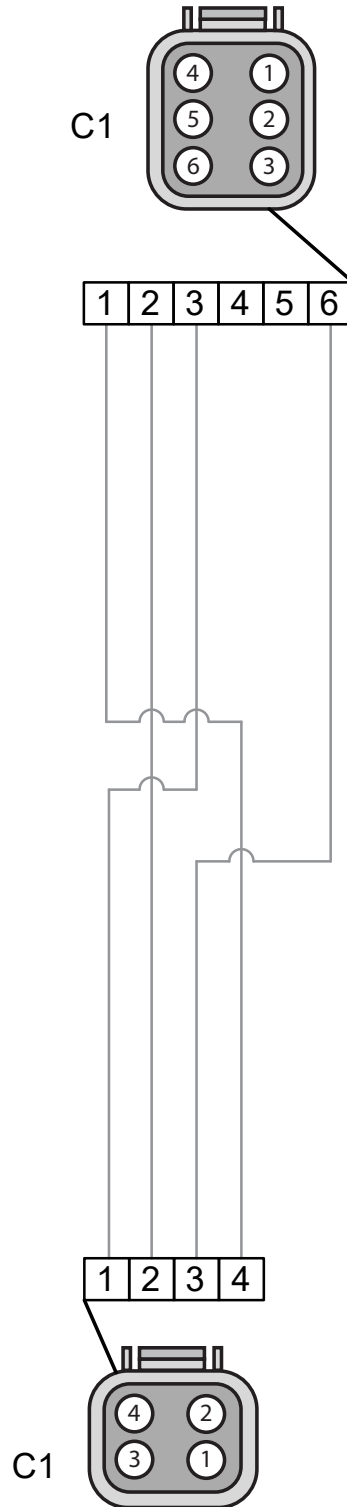
WIRING SYSTEM DETAILS



**WARNING:** Cancer and Reproductive Harm  
www.P65Warnings.ca.gov

# WIRING SYSTEM DETAILS (GPS HARNESS)

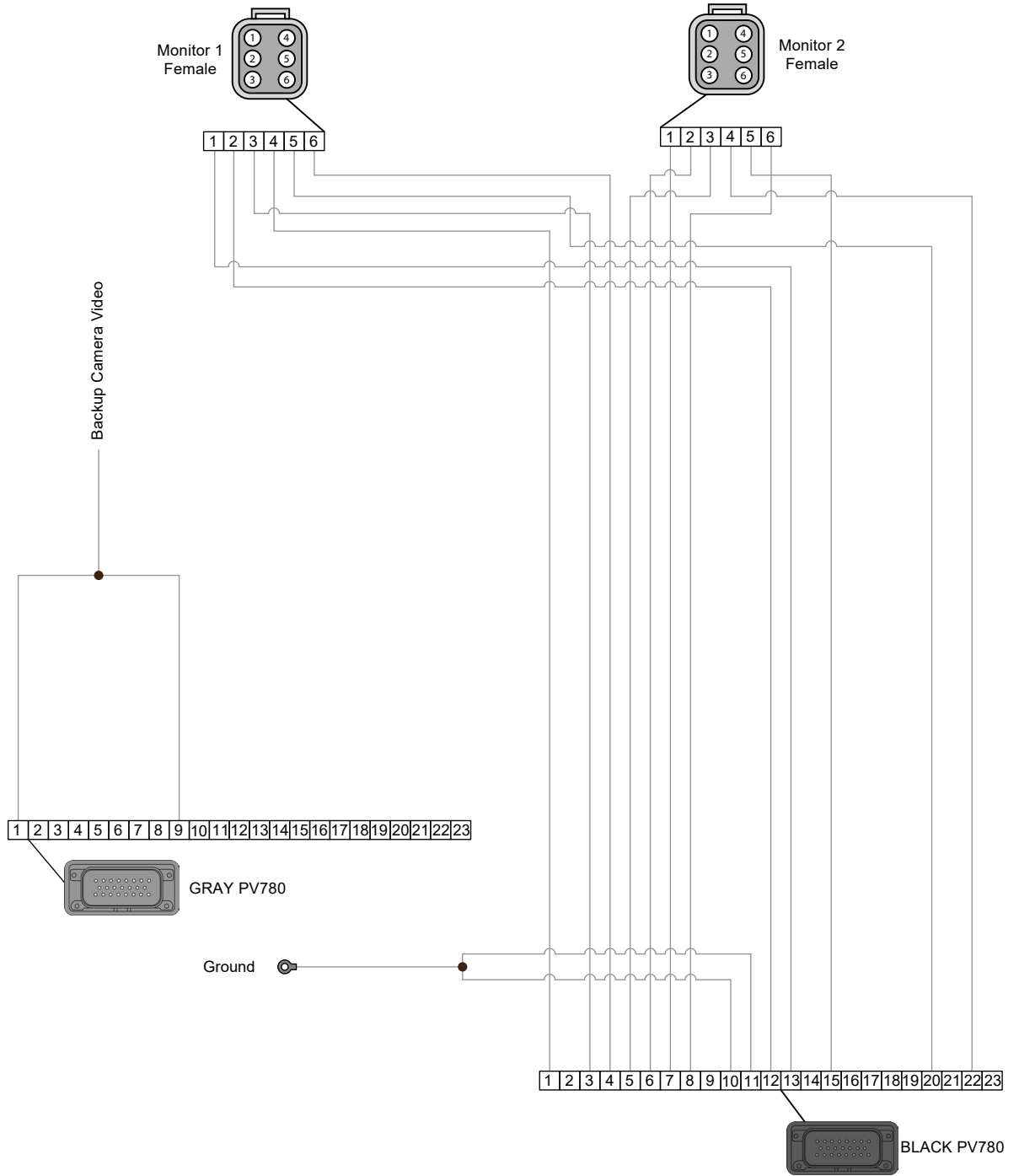
WIRING SYSTEM DETAILS



# WIRING SYSTEM DETAILS (MONITOR HARNESS)

470 - Series Parts Catalog

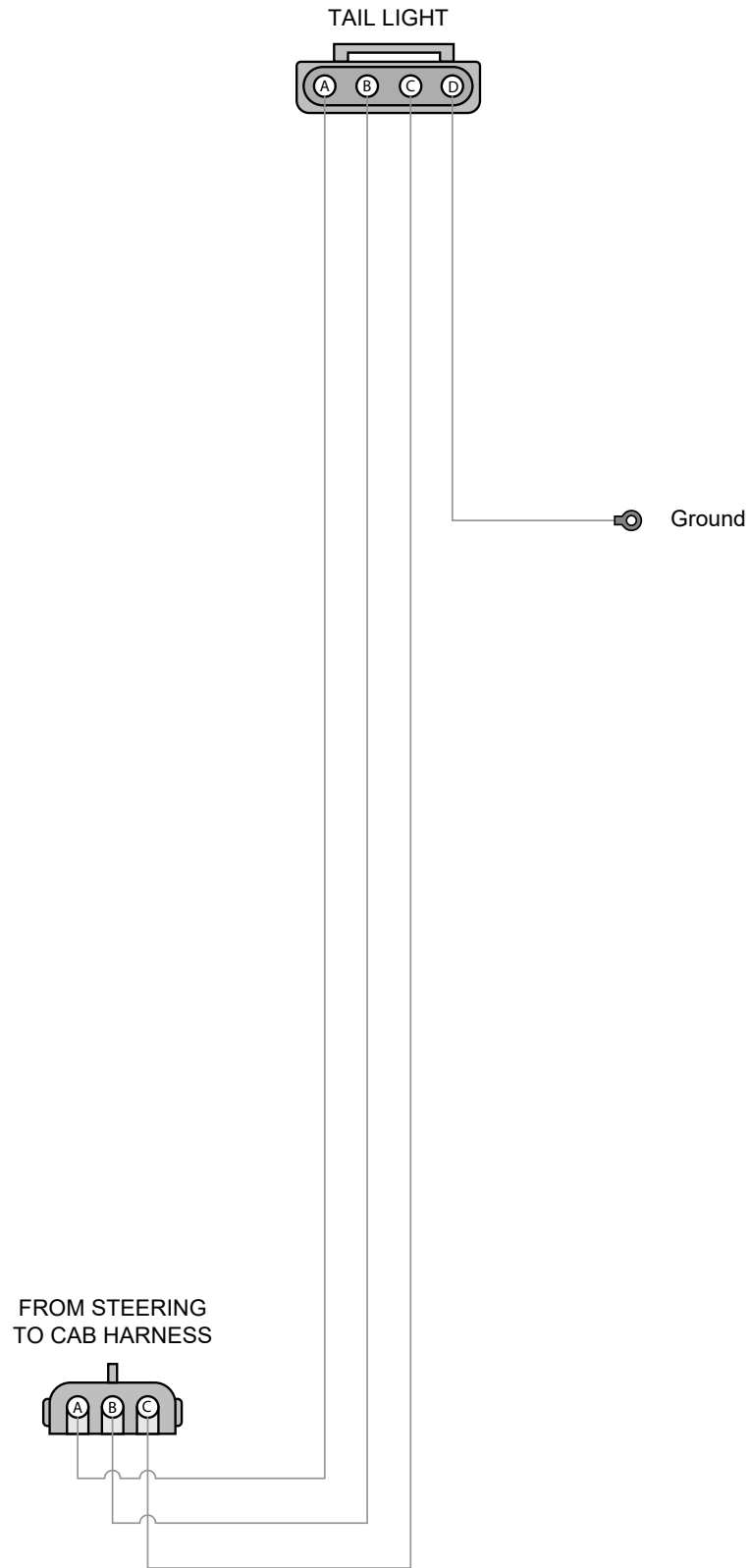
WIRING SYSTEM DETAILS



# WIRING SYSTEM DETAILS (REAR TAIL LIGHT HARNESS)

470 - Series Parts Catalog

WIRING SYSTEM DETAILS

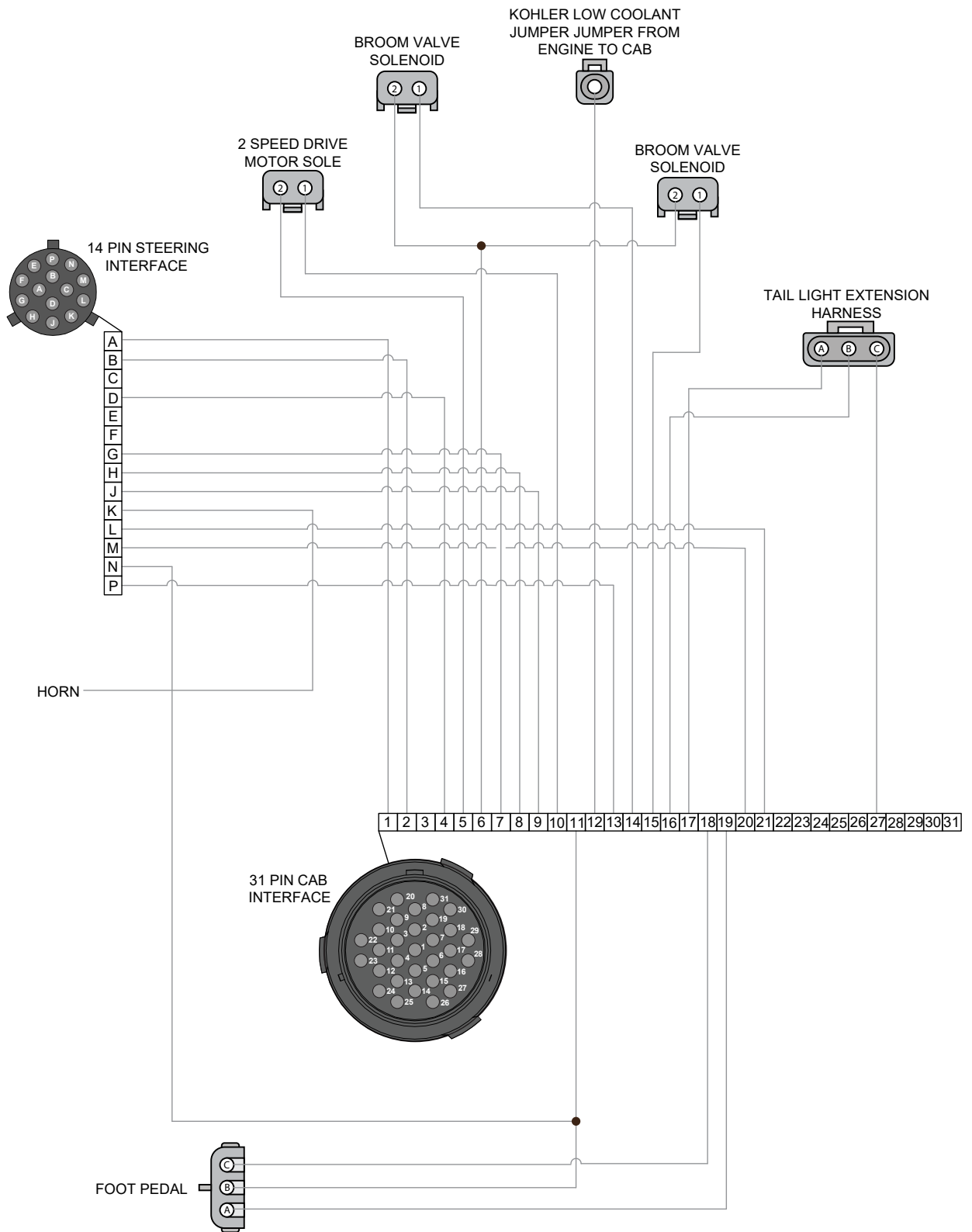


 **WARNING:** Cancer and Reproductive Harm  
[www.P65Warnings.ca.gov](http://www.P65Warnings.ca.gov)

# WIRING SYSTEM DETAILS (STEERING TO CAB HARNESS)

470 - Series Parts Catalog

WIRING SYSTEM DETAILS

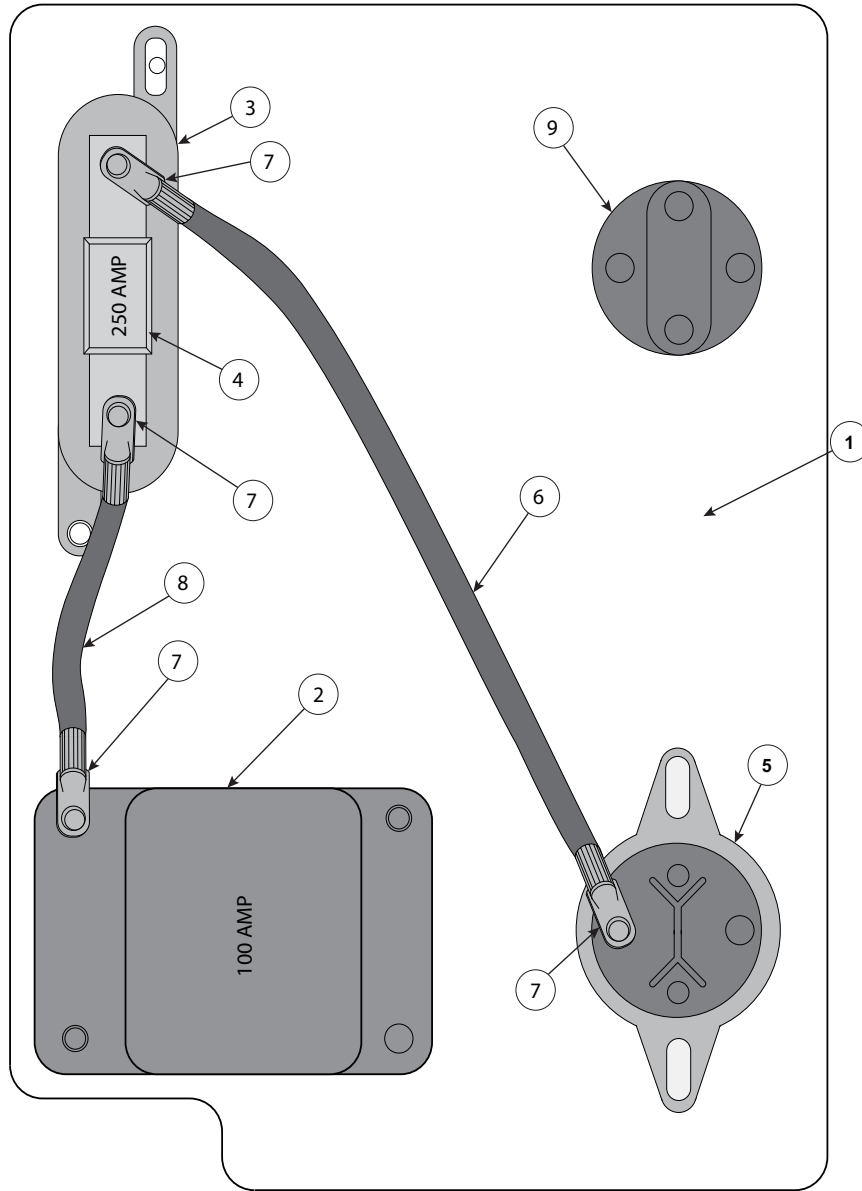


**WARNING:** Cancer and Reproductive Harm  
www.P65Warnings.ca.gov

# WIRING SYSTEM DETAILS (MAIN FUSE)

470 - Series Parts Catalog

WIRING SYSTEM DETAILS



ITEM #	PARTS #	DESCRIPTION	QTY.
1	513583	Panel Electric	1
2	513544	Breaker 100 AMP	1
3	513542	Fuse Holder	1
4	513540	250 AMP Fuse	1
5	203670	Solenoid Control	1
6	307804	5" 4G Wire	5
7	513618	4 g 3/8" Eyelet	1
8	307804	4" 4G Wire	4
9	344279	Engine Solenoid	1
N/S	460493	Relay, 12V 75A	1

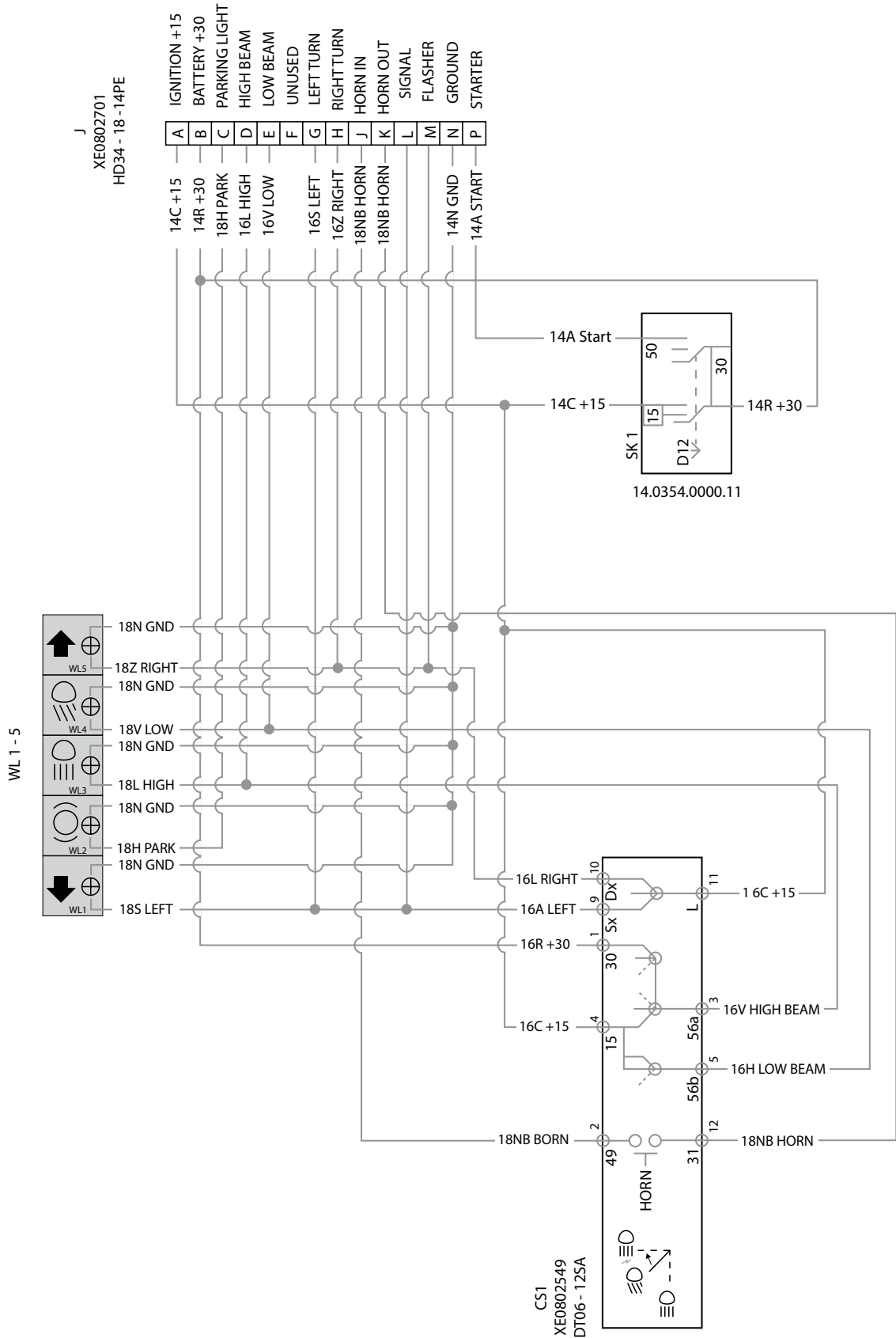
N/S\* = Not Shown

**WARNING:** Cancer and Reproductive Harm  
www.P65Warnings.ca.gov

# WIRING SYSTEM DETAILS (STEERING COLUMN)

470 - Series Parts Catalog

WIRING SYSTEM DETAILS



**WARNING:** Cancer and Reproductive Harm  
www.P65Warnings.ca.gov